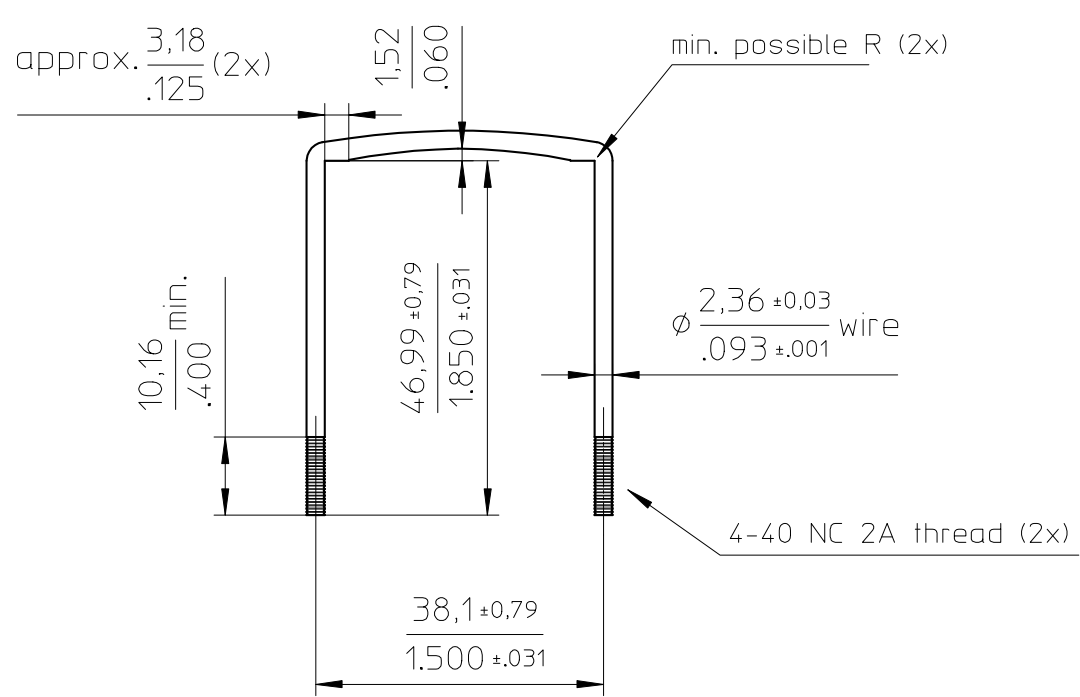
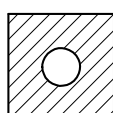
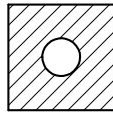


FERROXCUBE



Material: 70/30 Brass wire half hard

CLASS.NO.		CLM/U-EC41-C		4322 021 27191		09-11-16	
NAME NAAM		M.Tryngiel		001 SH BL. 112 - 01		A4	
CHECK CONTR.		DAT.		Property of Eigendom van		© FERROXCUBE	