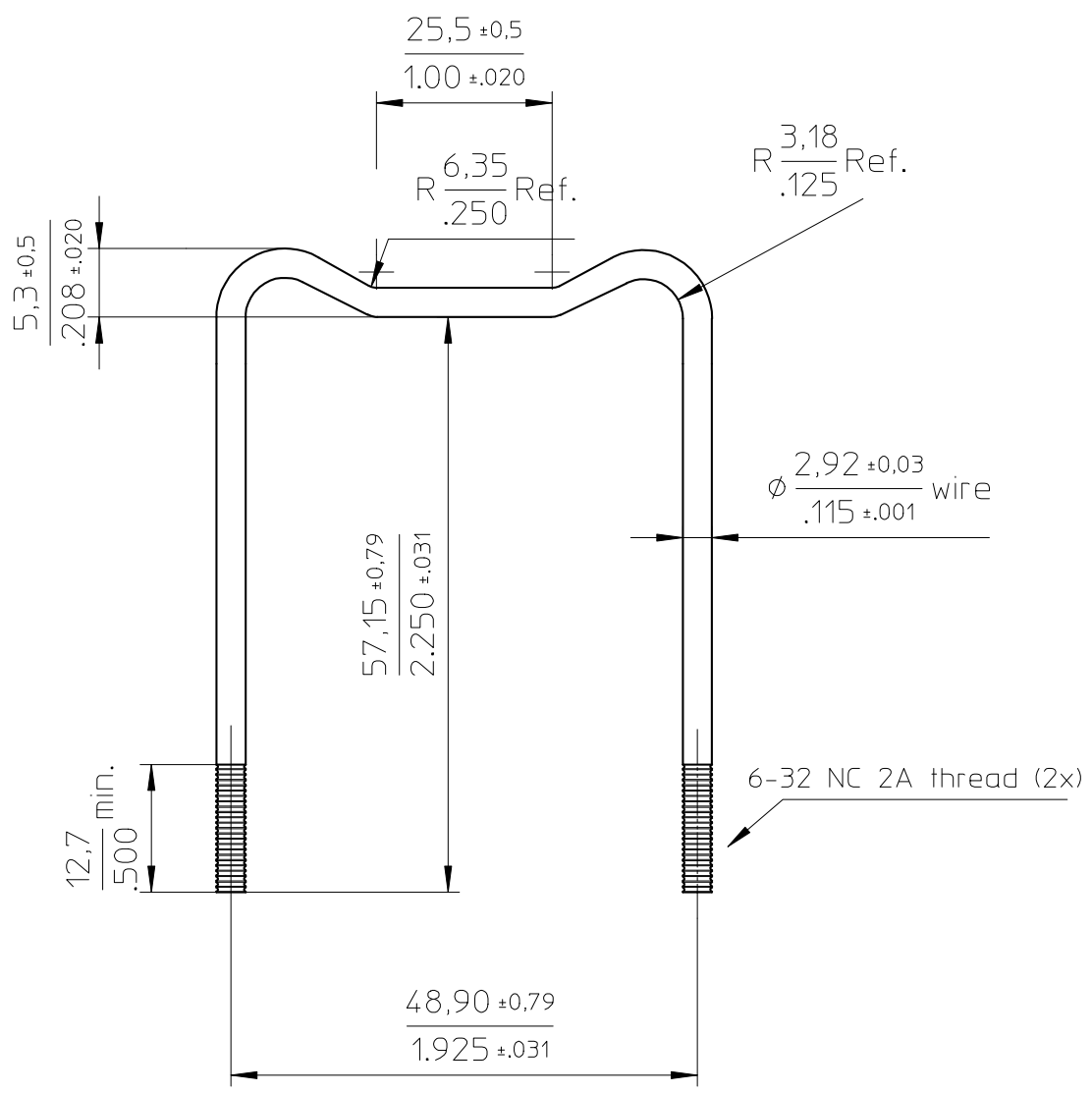
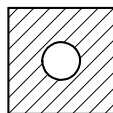
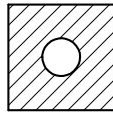


**FERROXCUBE**



Material: Brass wire

CLASS.NO.	CLM/U-EC52-C		09-11-16
	4322 021 27211		
NAME NAAM	M.Tryngiel	SUPERS. VERY.	001 SH BL. 112 - 01
MPA	CHECK CONTR.	DAT.	Property of Eigendom van © FERROXCUBE
			A4