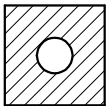
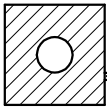


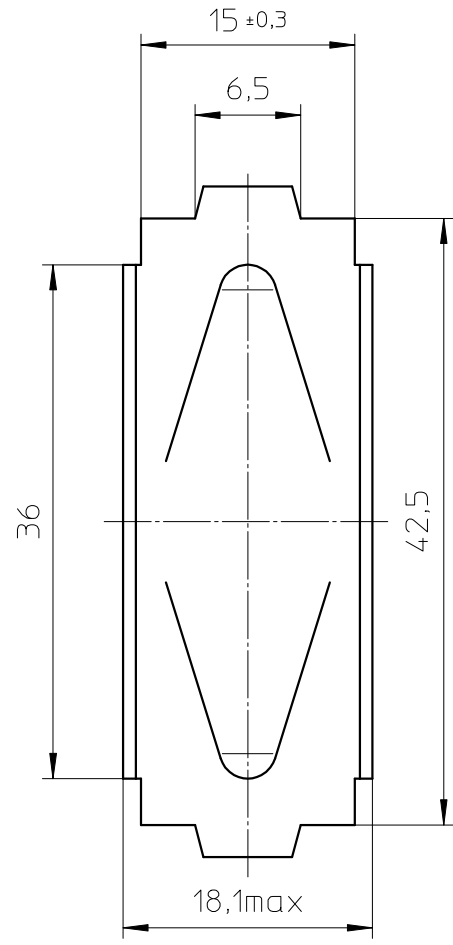
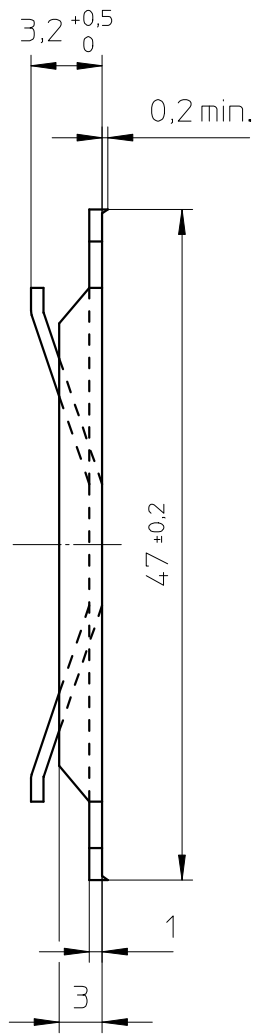
FERROXCUBE



1 2 3 4

a
b
c
d

a
b
c
d



Material: Steel, Zn plated (thickness 5 µm - 7 µm)

CLASS.NO.		SPR-E42/21/15		4322 021 00921		93-11-16			
						94-08-23			
						06-04-13			
						06-09-05			
NAME NAAM	A.Wojtasz	SUPERS. VERV.	1	SH BL.	112	-	001	010	A4
MPA	CHECK CONTR.	DAT.	93-11-16	Property of Eigendom van		© FERROXCUBE 2000			

