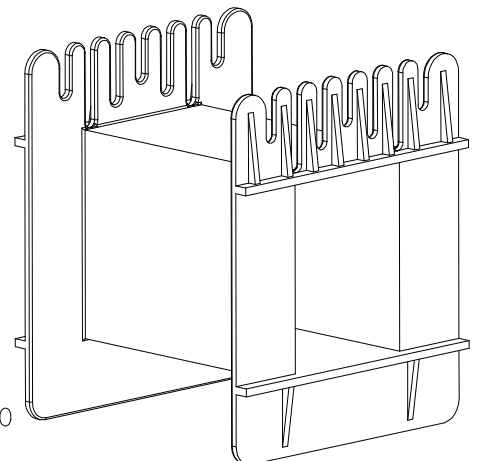
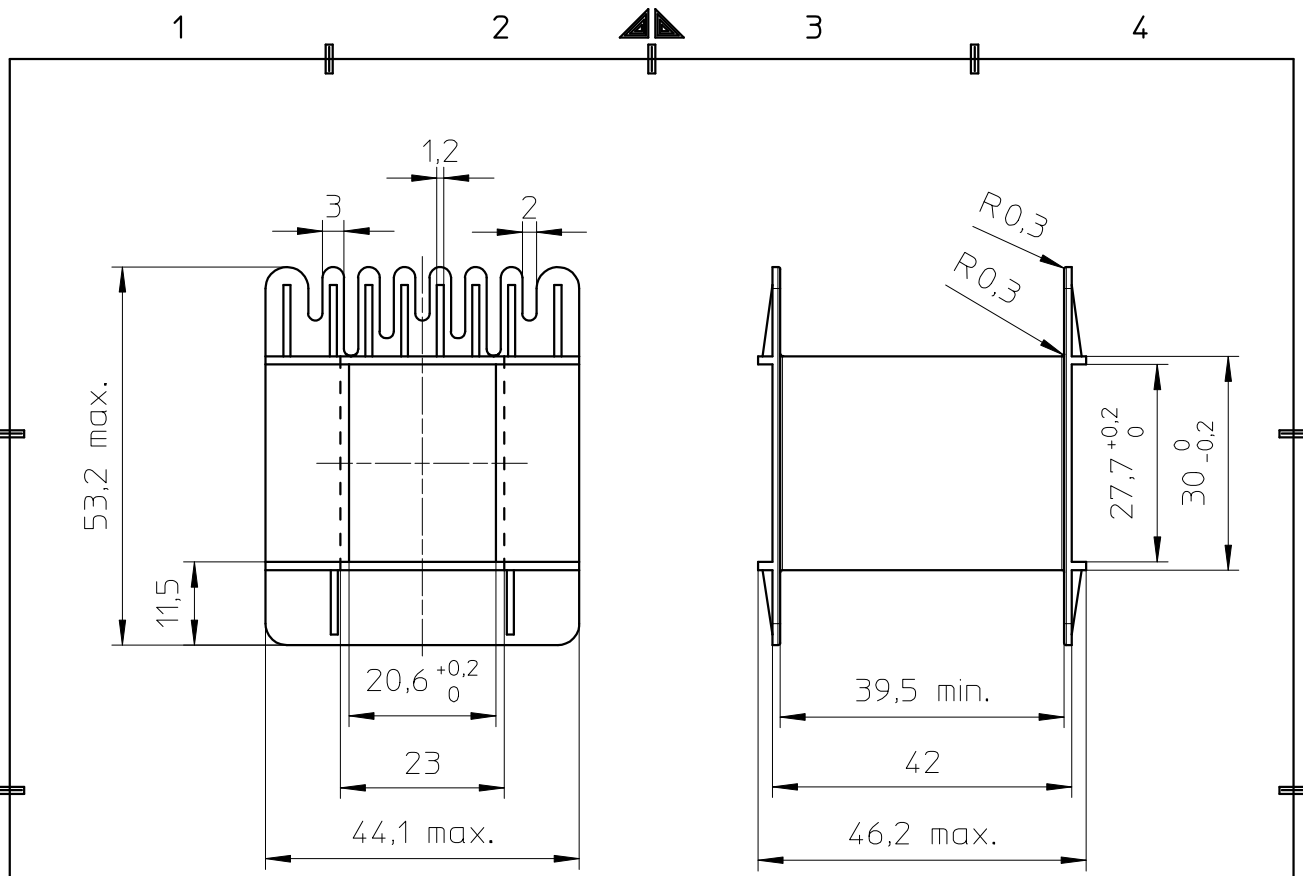
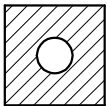
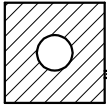


**FERROXCUBE**



Coil former material: PET T102G30 (color: black)  
 UL file number E107536 - UL94V-0

Max. operating temperature: acc. to IEC 60 085 class B, 130°C  
 Winding area: 394 mm  
 Mean length of turn: 150 mm.

CLASS.NO.		CP-E65-1S-T		4322 021 0452		1   09-04-04			
NAME NAAM	M.Veekens	SUPERS. VERV.	11	SH BL.	112	-	001	010	A4
MPA	CHECK CONTR.	DAT.	09-04-04	Property of Eigendom van		© FERROXCUBE 2000			