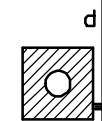


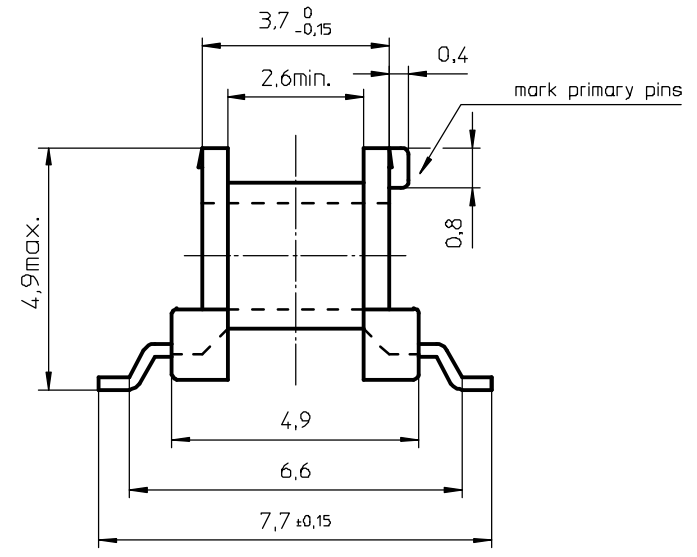
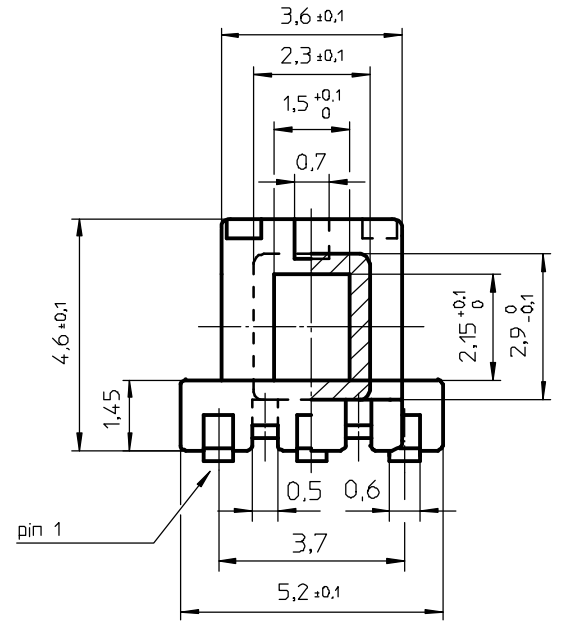
c



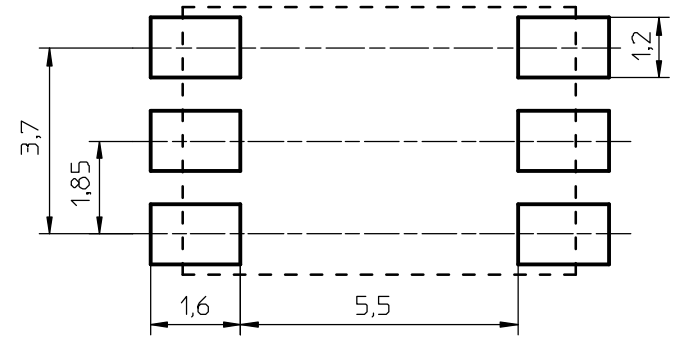
e

f

1 2 3 4 5 6 7 8



PROPOSED PAD ARRANGEMENT



- Coil former material: Sumikasuper E4008 (LCP), glass-reinforced.
UL file number: E54705 - UL94V-0
- Pin material: CuSn - Ni flash, Sn plated.
- Max. operating temp. acc. to IEC 60085 class F, 155°C.
- Resistance to soldering heat acc. to IEC 60068-2-20 Part 2, Test Tb, method 1B, 350°C - 3,5sec.
- Solderability: acc. to IEC 60068-2-20 Part 2, Test Ta, method 1, 235°C - 2sec.
- Min. winding area: 1,5 mm².
- Mean length of turn: 12,6 mm.

CLASS NO.		03-02-20	
CPHS-E5,3/2-1S-6P-Z		4322 021 06011	
NAME M.Veekens	CHECK CONTR.	DATE 03-02-20	PROPERTY OF Eigendom van
MPA			
1 SH Bl. 112 - 001		069	A3
© FERROXCUBE 2000			

1 2 3 4