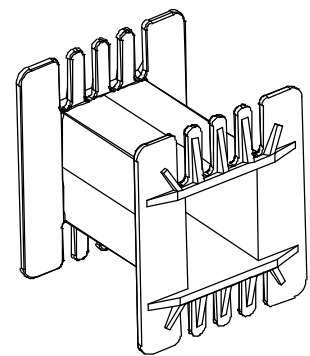
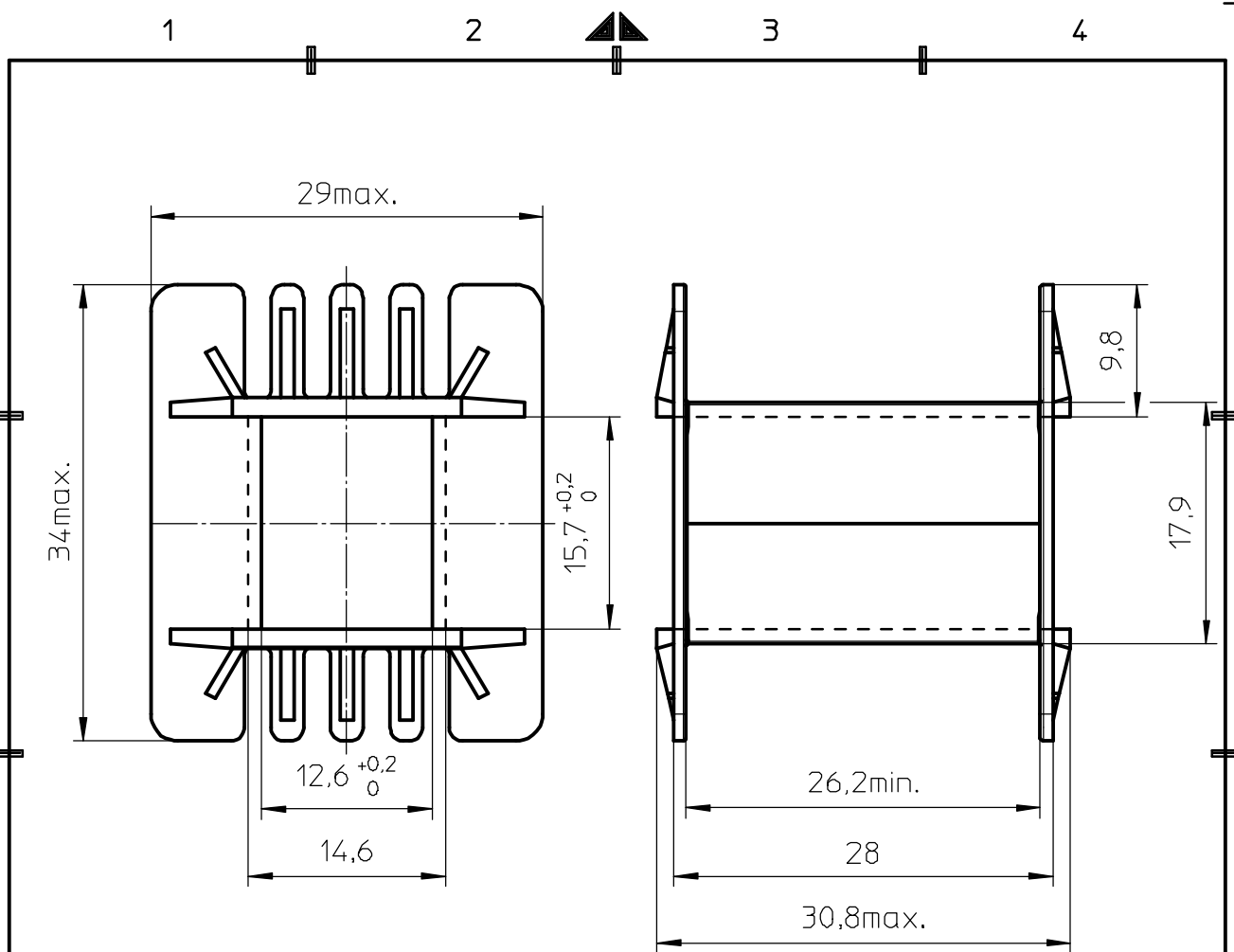
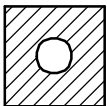
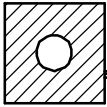


FERROXCUBE



Coil former material: Valox 420SE0 (PBT), glass-reinforced.
 UL file number: E45329(R) - UL94V-0.
 Max. operating temp.: acc. to IEC 85 class F, 155°C.
 Min. winding area: 178 mm².
 Mean length of turn: 93 mm.

CLASS NO.		CP-E42/21/15-1S		4322 021 02641		1	98-02-09
						1	98-05-04
NAME NAAM	M.Veekens	SUPERS. VERV.	8222 294 4604	1	SH BL	112	- 001 010
MPA	CHECK CONTR.	DAT.	98-02-09	Property of Eigendom van		© FERROXCUBE 2000	
							A4