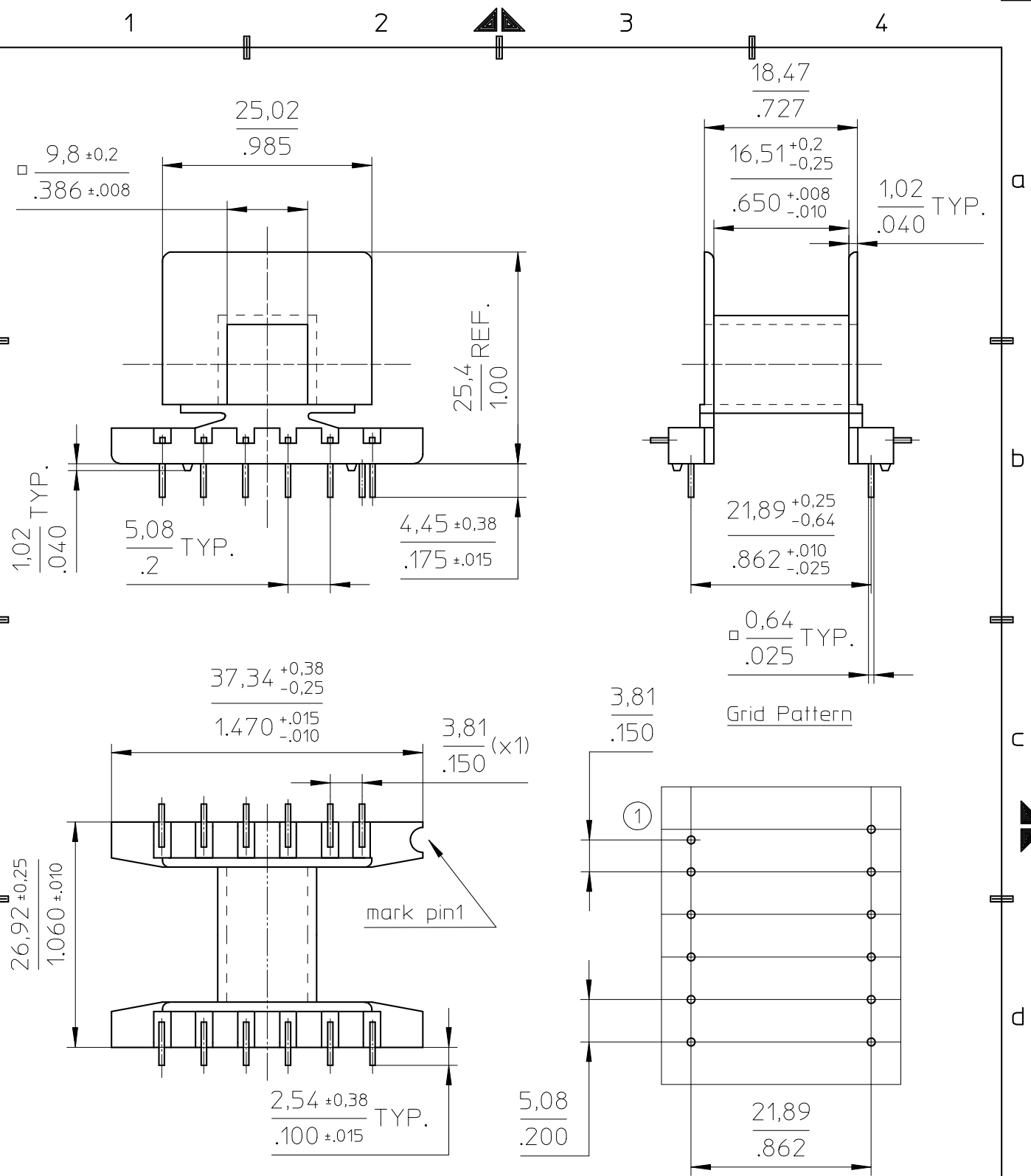


**FERROXCUBE**



Coil former material: Zytel 70G33L (PA66), glass-reinforced.  
 UL file number: E41938 - UL94HB.  
 max. operating temp: 130°C, class B  
 pin material: CuSn, Sn plated.  
 solderability: acc. to IEC 60068-2-20 part2, Test Ta method 1, 235C-2sec. (MIL-STD 202, method 208).  
 mean length of turn: 2.71 inch (69 mm)  
 winding area: 0.158 sq inch (102 sq mm)

CLASS.NO.						07-09-05	
PROJ. EUROP.		CPH-E34/14/9-1S-12PD-Z		4335 060 27091		07-11-27	
NAME NAAM		A.Wojtasz		SUPERS. VERV.		1 SH BL.BL. 112 - 001 010	
MPA		CHECK CONTR.		DAT. 07-09-05		Property of Eigendom van © FERROXCUBE 2007	
						A4	