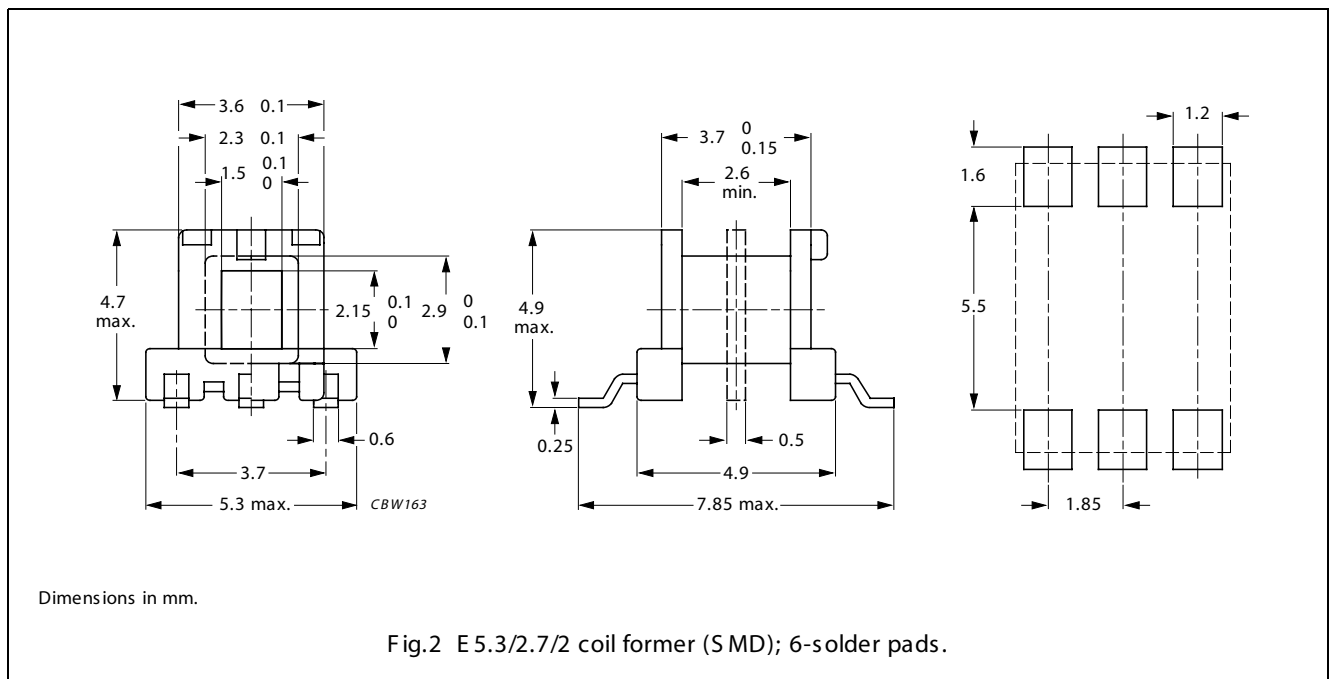


COIL FORMERS

General data

PARAMETER	SPECIFICATION
Coil former material	liquid crystal polymer (LCP), glass reinforced, flame retardant in accordance with "UL 94V-0"; UL file number E 54705
Pin material	copper-tin alloy (CuSn), tin-(Sn) plated
Maximum operating temperature	155 C, "IEC 60085", class F
Resistance to soldering heat	"IEC 60068-2-20", Part 2, Test Tb, method 1B: 350 C, 3.5 s
Solderability	"IEC 60068-2-20", Part 2, Test Ta, method 1: 235 C, 2 s



Winding data for E 5.3/2.7/2 coil former (SMD) with 6 solder pads

NUMBER OF SECTIONS	WINDING AREA (mm <sup>2</sup> )	MINIMUM WINDING WIDTH (mm)	AVERAGE LENGTH OF TURN (mm)	TYPE NUMBER
1	1.5	2.6	12.6	CPHS-E 5.3/2-1S-4P-Z
1	1.5	2.6	12.6	CPHS-E 5.3/2-1S-6P-Z
2	2 x 0.6	2 x 1.0	12.6	CPHS-E 5.3/2-2S-6P-Z