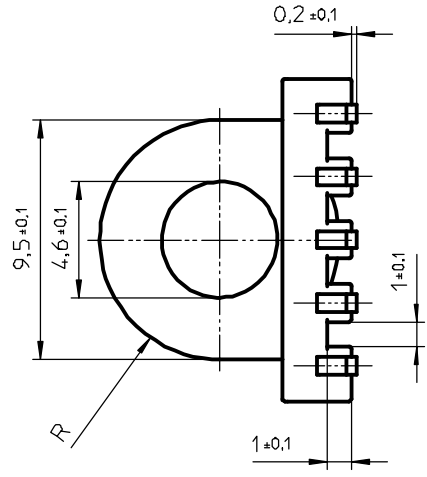
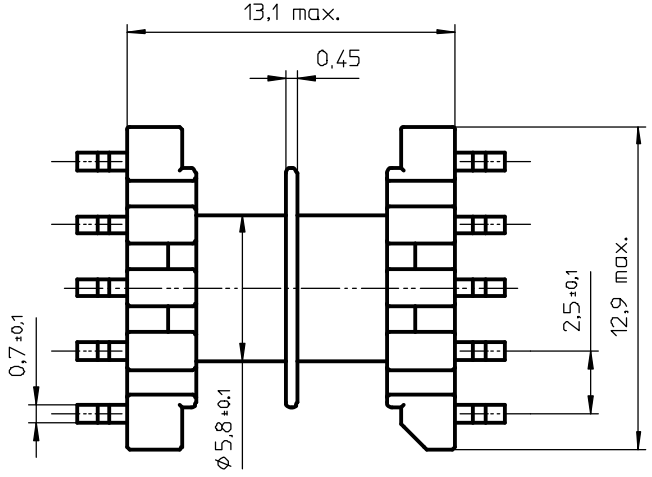
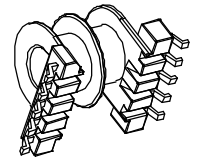
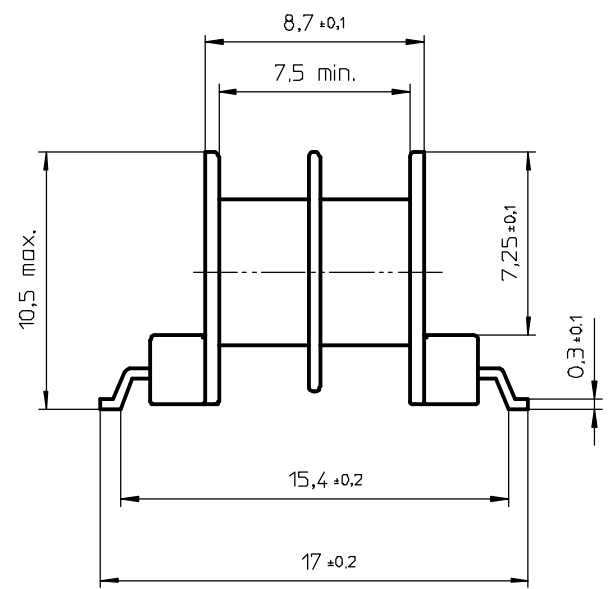
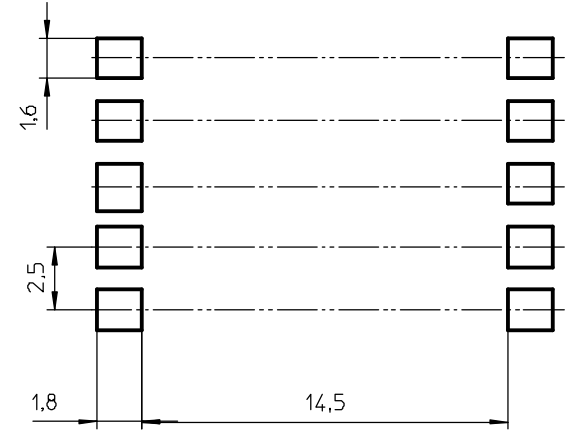




1 2 3 4 5 6 7 8



PROPOSED PAD ARRANGEMENT



Coil former material: Sumikasuper E4008 (LCP), glass-reinforced,
UL file number: E54705(M) - UL94V-0

Pin material: CuSn - Ni flash, Sn plated.

Max. operating temp.: acc. to IEC 60 085 class F, 155°C.

Resistance to soldering heat: acc. to IEC 60 068-2-20 Part 2, Test Tb, method 1B, 350°C - 3,5s

Solderability: acc. to IEC 60 068-2-20 Part 2, Test Ta, method 1, 235°C - 2s

Min. winding area: 12,3 mm².

Mean length of turn: 23,8 mm

CLASS NO.		CPHS-EP13-2S-10P-Z		4322 021 06191		03-02-25	
NAME	M. Veekens	SUPPERS	001	SP	112	001	069
MPA	CHECK	DATE	03-02-25	Property of	FERROXCUBE 2000		
	CONTR.			Eigendom van			

1 2 3 4