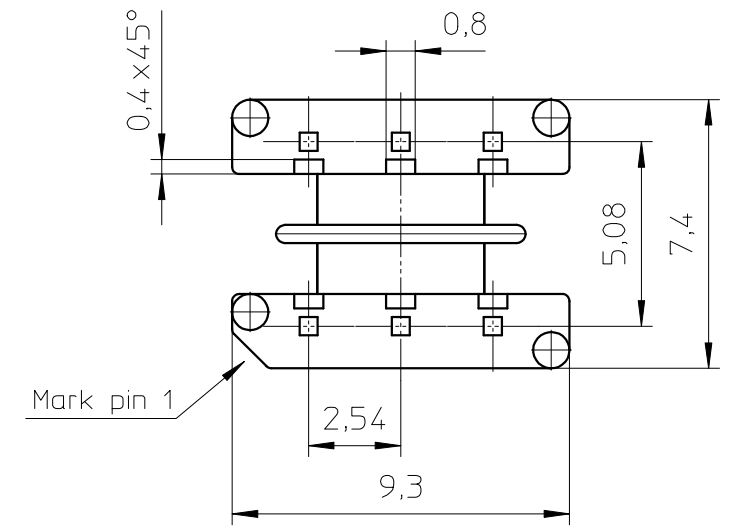
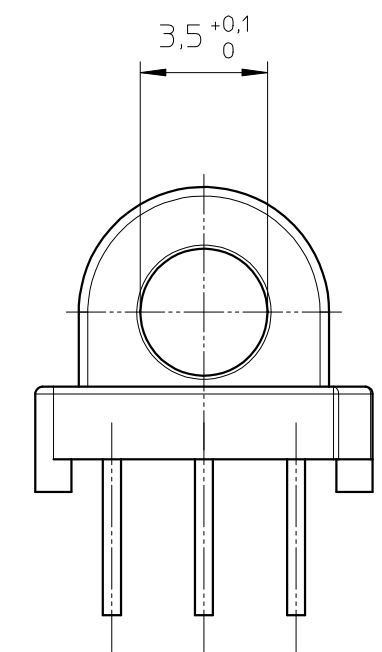
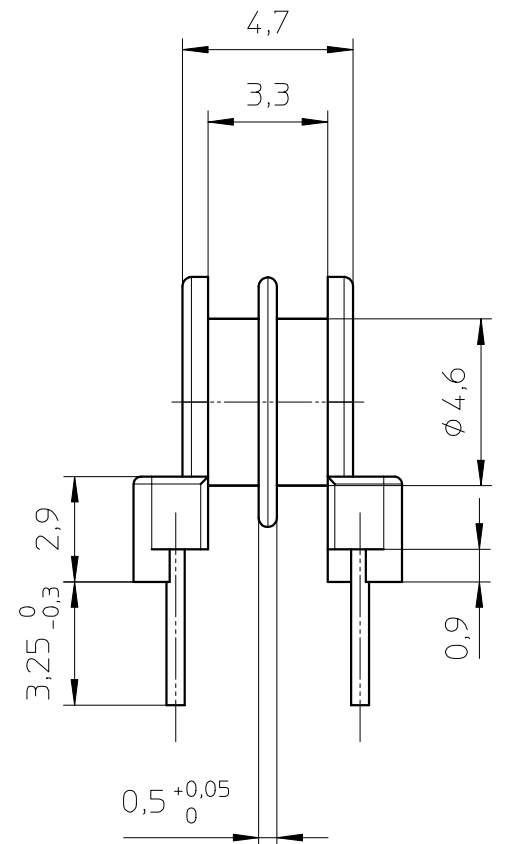
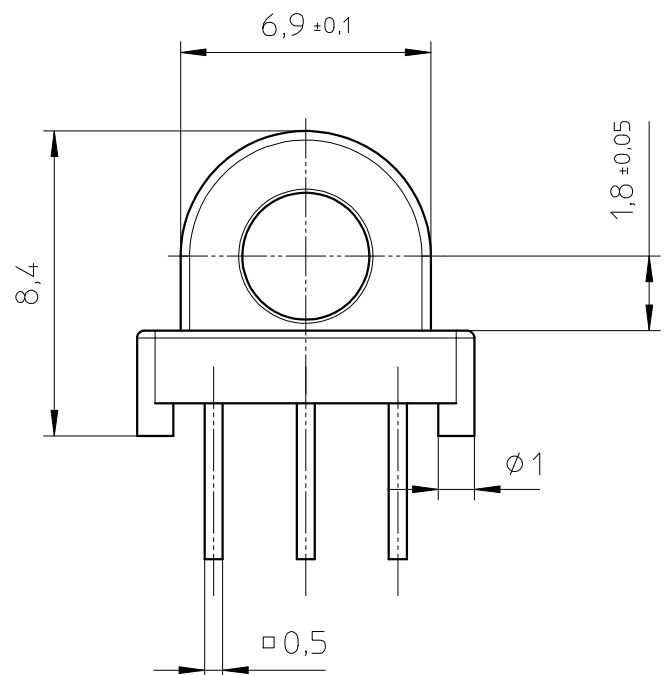
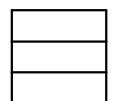
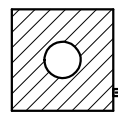
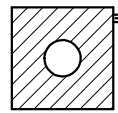
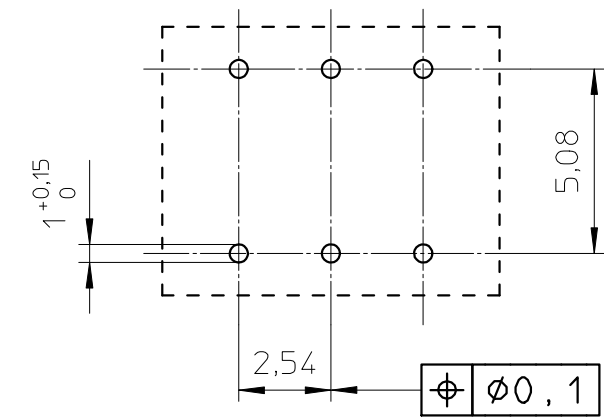


FERROXCUBE



Hole Pattern Proposal:



Coil former material: Sumikon PM9630 (PF), glass-reinforced.
 Pin material: UL file number: E41429 - UL94V-0.
 Max. operating temp.: Copperclad steel, Sn plated.
 Resistance to soldering heat: acc. to IEC 60 085 class H, 180°C.
 Solderability: acc. to IEC 60 068-2-20 Part 2, Test Tb, method 1B, 350°C-3.5s.
 Min. winding area: 3.5 mm².
 Mean length of turn: 18 mm.

CLASS.NO.	CSH-EP7-2S-6P-TZ		4322 021 06531	23-01-2006
				06-03-2006
				31-08-2006
NAME NAAM	A.Wojtasz	SUPERS. VERY.	1 SH SH BL BL	112 - 001
MPA	CHECK CONTR.	DAT.	02-01-2006	Property of Eigendom van © FERROXCUBE 2000
				A3