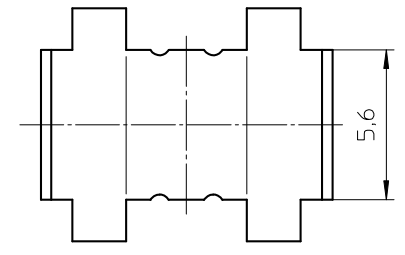
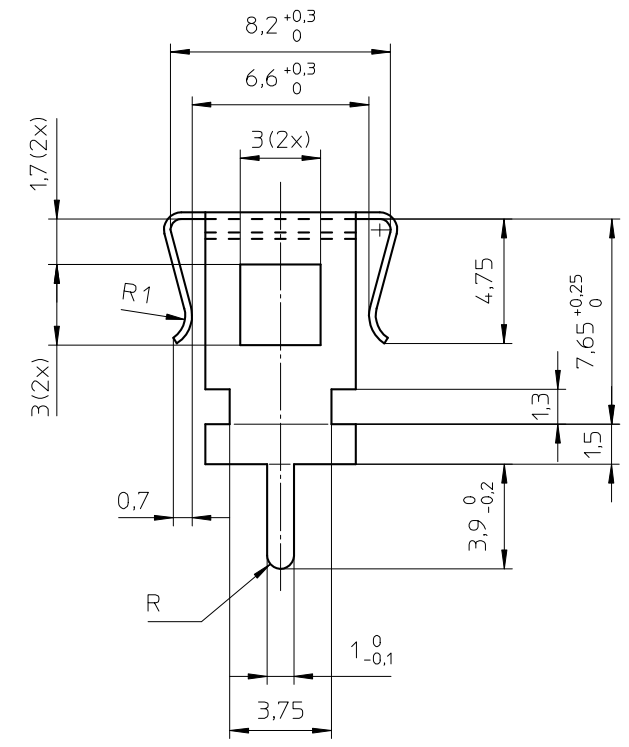
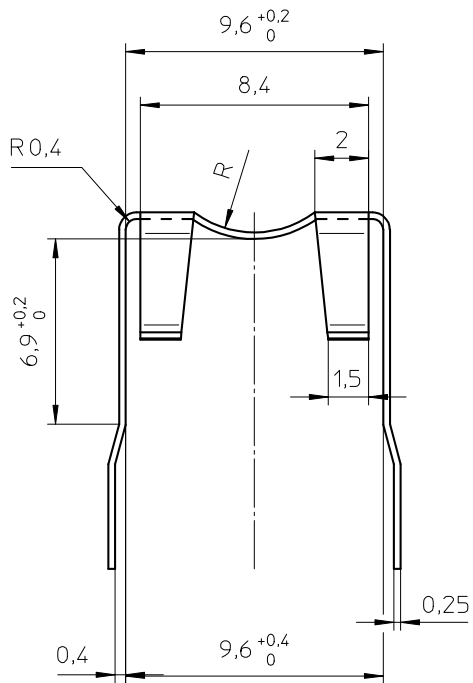


FERROXCUBE



e



Material: CuSn, Sn plated.

CLASSNO.		95-05-16	
		95-08-23	
97-05-05		97-05-05	
		04-10-20	
		07-11-07	
NAME NAAM	A.Wojtasz	SUPERS. VERV.	001
MPA	CHECK CONTR.	DAT.	95-02-27
Property of Eigendom van		112 - 001	069
© FERROXCUBE 2000		A3	

CLI/P-EP7

4322 021 01261