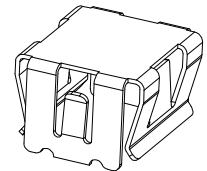
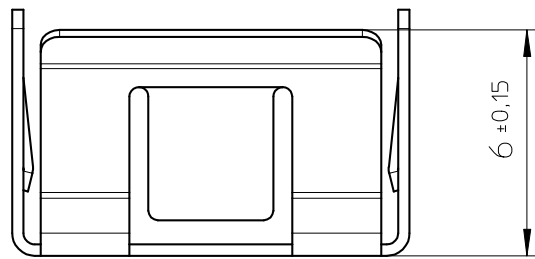
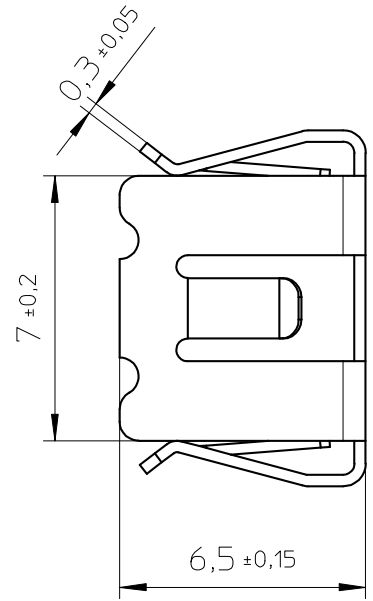
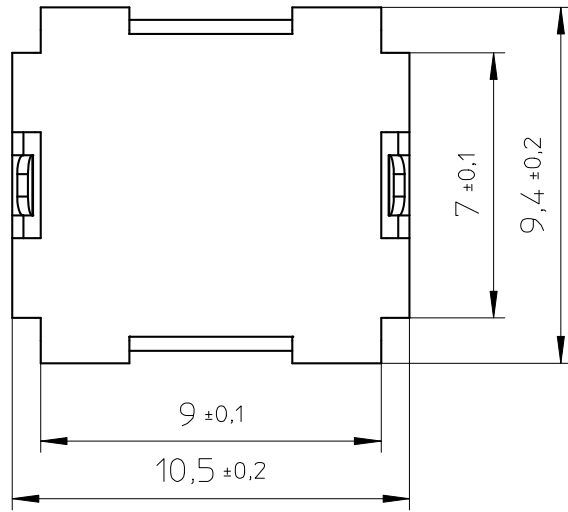


a  
b  
c  
d

a  
b  
c  
d

1 2 3 4



Material: corrosion resisting steel X12CrNi188 (SUS 301)

CLASS.NO.		CLM-EPX7		4322 021 03931		01-11-15		
						02-09-16		
						07-05-22		
NAME NAAM	A.Wojtasz	SUPERS. VERV.		1	SH BL.	112 - 001	010	A4
MPA	CHECK CONTR.	DAT.	01-11-15	Property of Eigendom van		© FERROXCUBE 2000		

