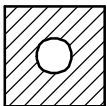
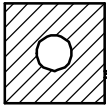


**FERROXCUBE**

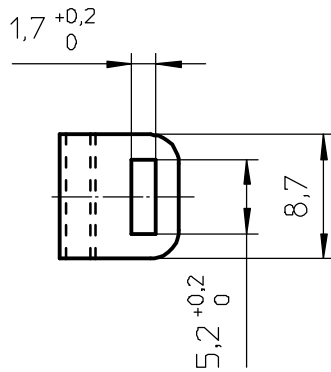
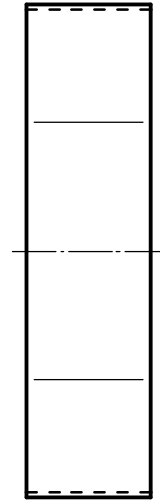
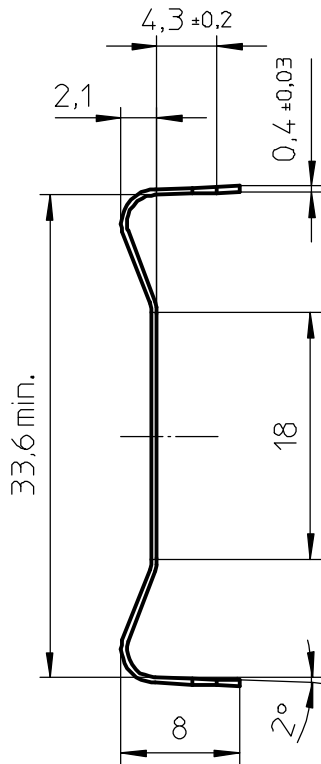


1

2

3

4



Material: CrNi steel

CLASS NO.

96-08-29

CLI-ETD29

4322 021 34371

~~91-08-23~~

~~92-12-04~~

~~93-05-19~~

~~93-09-02~~

96-08-29

NAME NAAM M.Veekens

SUPERS. VERV.

1

SH

SH

BL

BL

112

-

001

010

MPA

CHECK CONTR.

DAT.

91-08-23

Property of Eigendom van

© FERROXCUBE 2000

**A4**