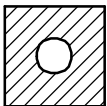
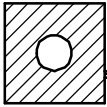
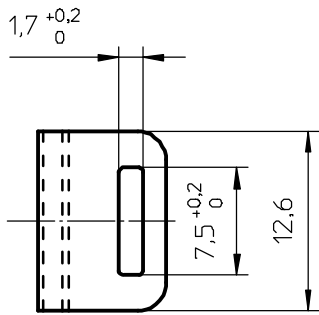
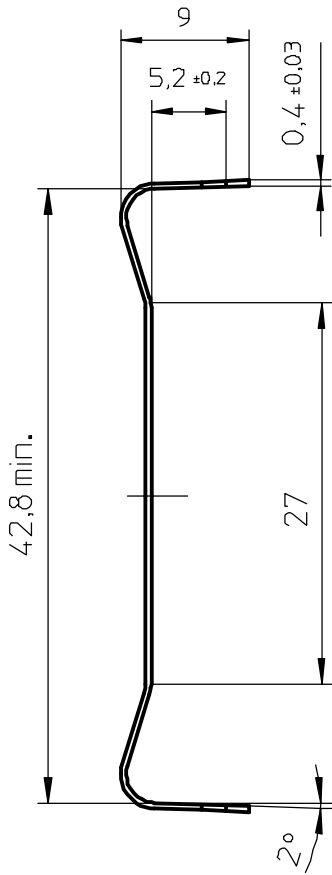


FERROXCUBE



1 2 3 4



Material: CrNi steel

CLASS NO.

96-08-29

CLI-ETD39

4322 021 33902

91-08-23
92-12-04
93-05-19
93-09-02
96-08-29

NAME NAAM M.Veekens

SUPERS. VERV.

1

SH BL

112

-

001

010

A4

MPA

CHECK CONTR.

DAT.

91-08-23

Property of Eigendom van

© FERROXCUBE 2000