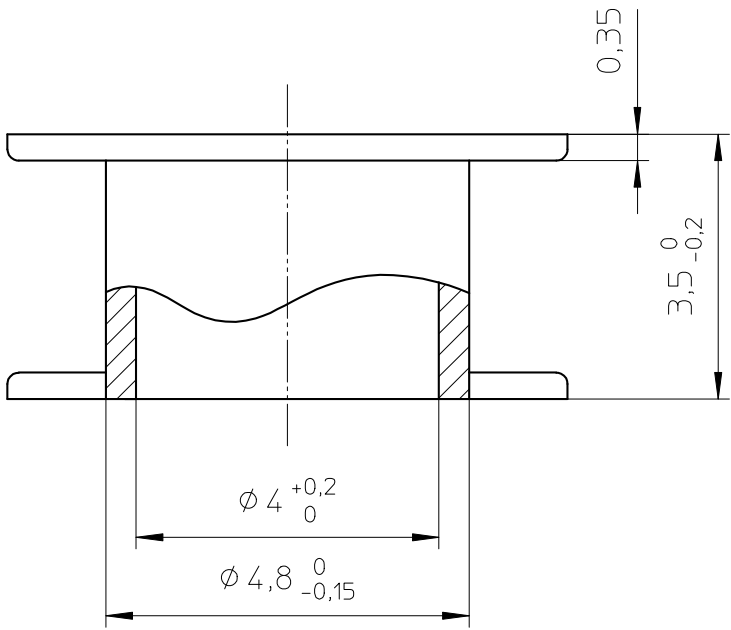
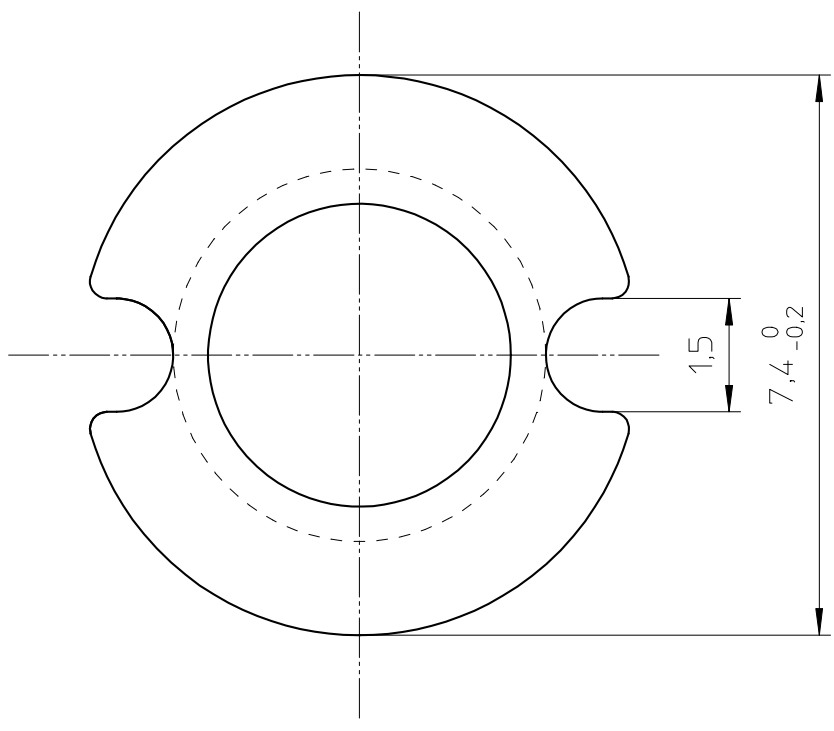
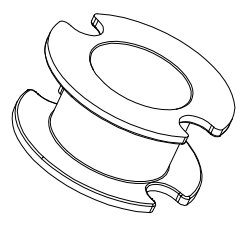


1 2 3 4



Coil former material: Rynite FR530 (PET), glass-reinforced.
 UL file number: E41938 - UL94V-0.
 Max. operating temp.: acc. to IEC 85 class H, 180°C.
 Min. winding area: 3,1 mm².
 Mean length of turn: 18,9 mm.



CLASSNO.		CP-P9/5-1S-C		4322 021 06721		07-06-20	
NAME NAAM		A.Wojtasz		1 SH BL. 112 - 001		010	
MPA		CHECK CONTR.		DAT. 07-06-20		Property of Eigendom van © FERROXCUBE 2007	
						A4	