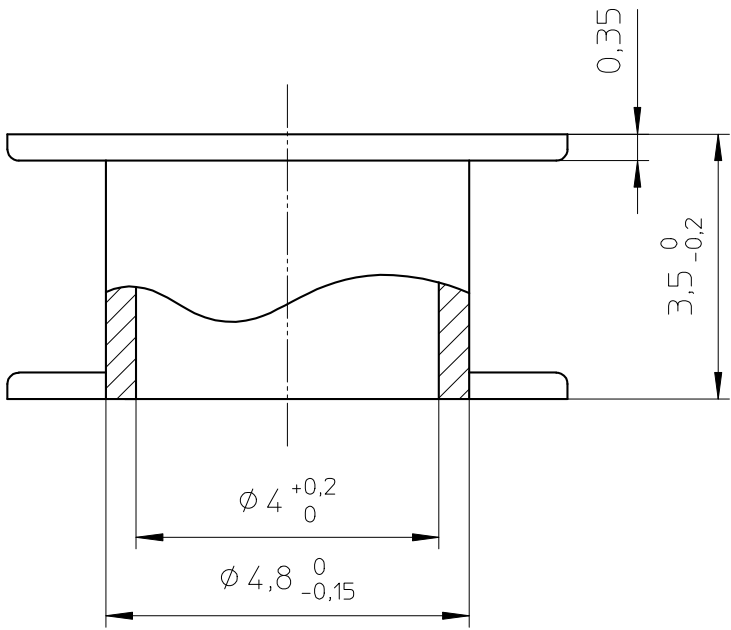
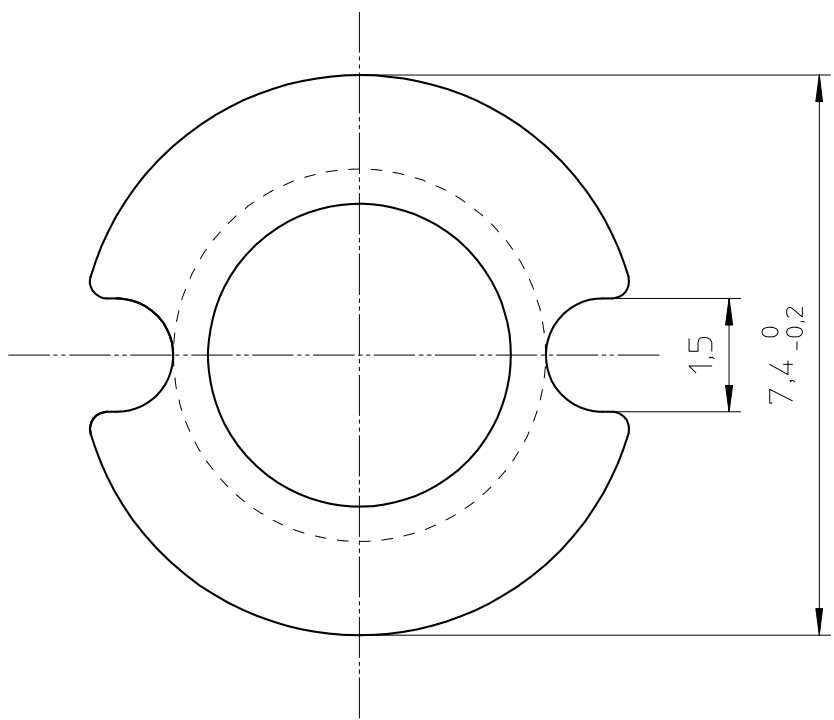
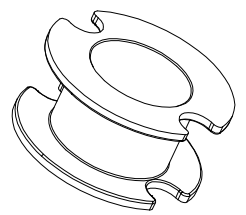


1 2 3 4



Coil former material: Rynite FR530 (PET), glass-reinforced (natural color)
 UL file number: E41938 - UL94V-0.
 Max. operating temp.: acc. to IEC 85 class H, 180°C.
 Min. winding area: 3,1 mm².
 Mean length of turn: 18,9 mm.



CLASSNO.		CP-P9/5-1S-NC		4322 021 07051		08-09-02	
NAME NAAM	M.Tryngiel	SUPERS. VERV.		1 SH BL.	SH BL.	112 - 001	010
MPA	CHECK CONTR.	DAT.	08-09-02	Property of Eigendom van		© FERROXCUBE 2008	
							A4

