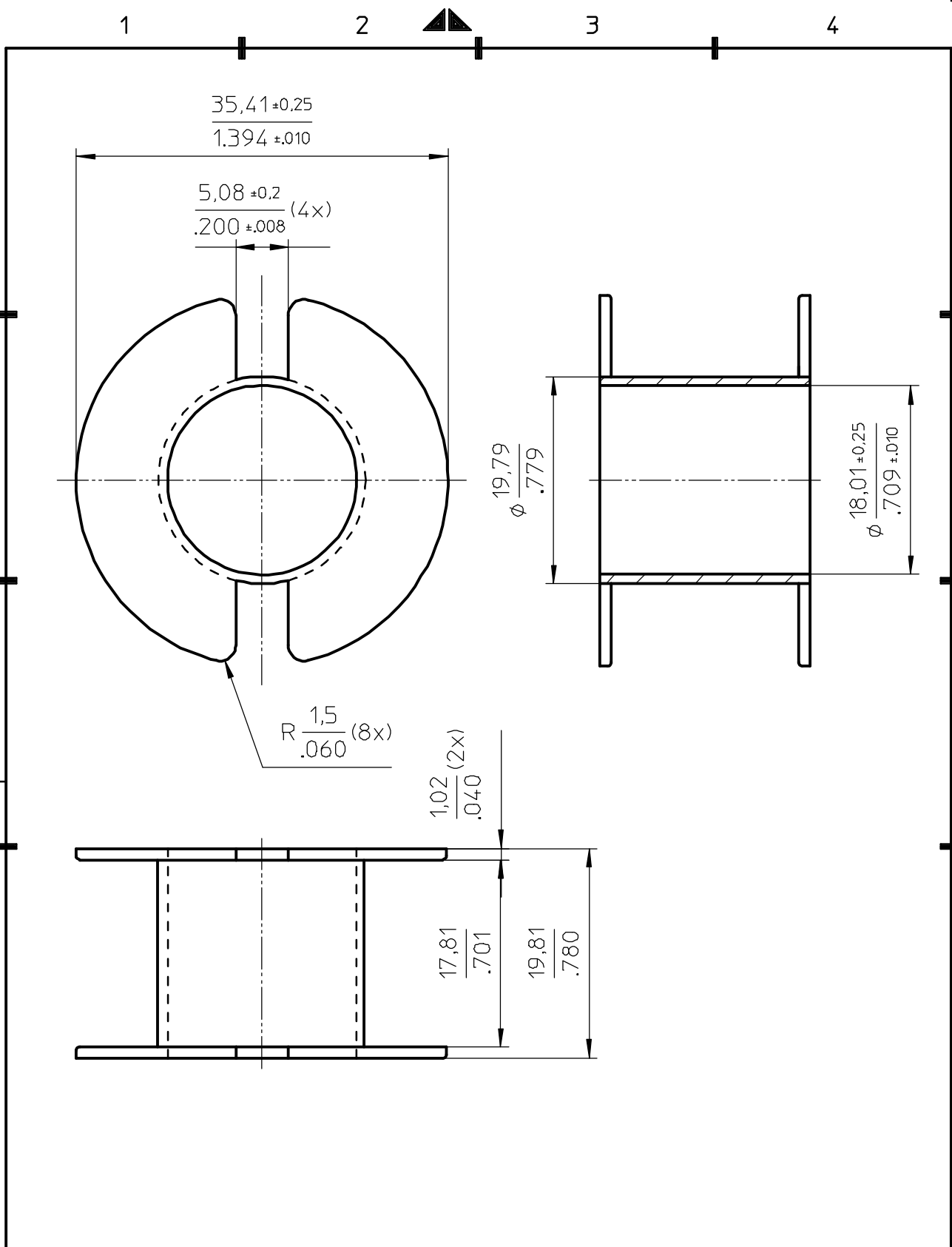
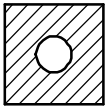
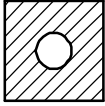


FERROXCUBE



Coil former material: Rynite FR530 (PET).
 UL file number: E69578 - UL94V-0

CLASSNO.			04-06-28
	CP-P42/29-1S-B	4335 000 80671	
NAME NAAM	M.Veekens	SUPERS. VERV	1 SH BL SH BL 112 - 001
MPA	CHECK CONTR.	DAT.	04-06-28
	Property of Eigendom van	© FERROXCUBE 2000	
			A4