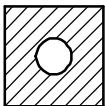
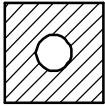
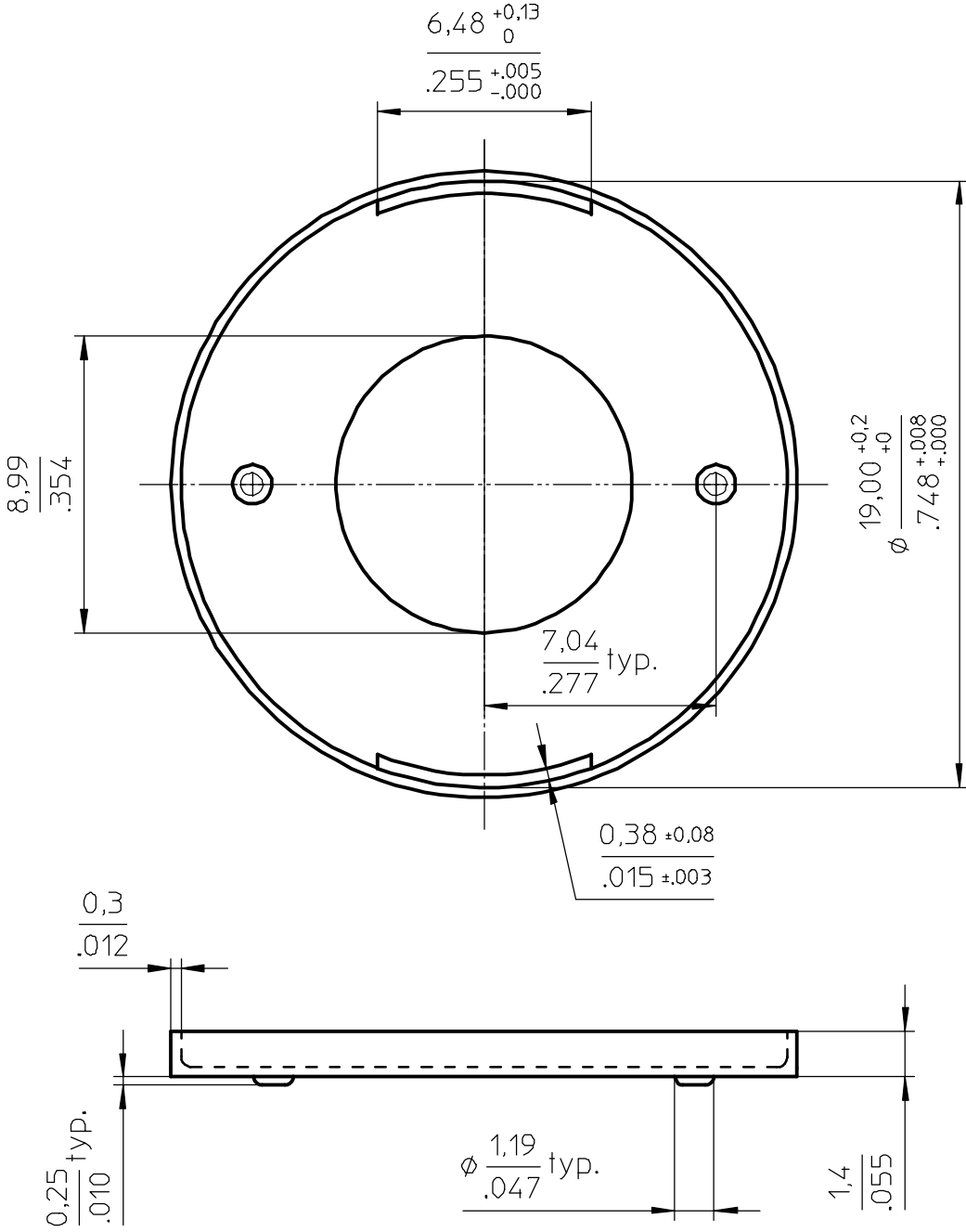


**FERROXCUBE**



1 2 3 4



Material: Brass, 1/2 hard, Zn plated (0.0002") suppl. chromate treatment.

CLASSNO.		BPL/R-CLM/C-P18/11		4335 000 45141		01-06-01
						02-11-25
NAME NAAM	Tjon	SUPERS. VERV	001	SH BL	SH BL	112 - 01
MPA	CHECK CONTR.	DAT.	Property of Eigendom van	© FERROXCUBE 2000		<b>A4</b>