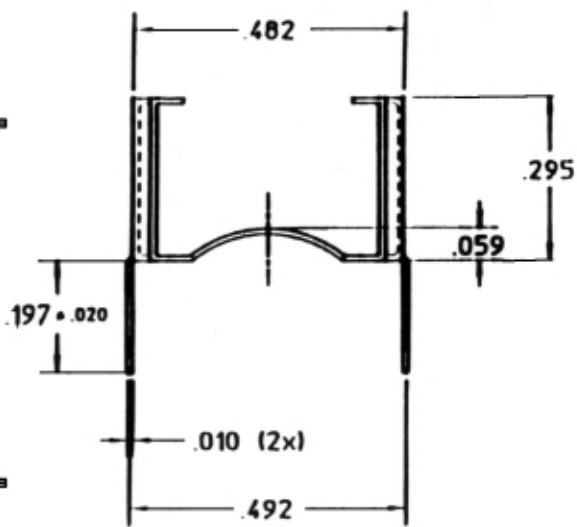
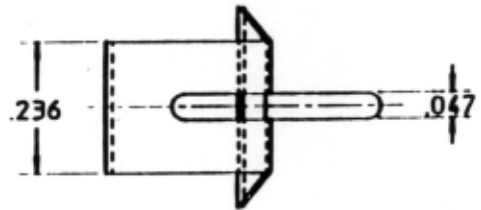
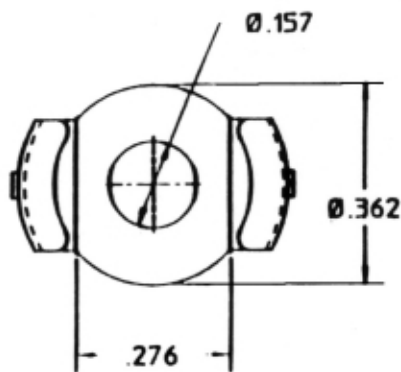
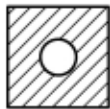
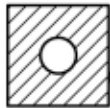


**FERROXCUBE**



Material: Phosphor bronze, Sn plated (0.010" thk)

					01-06-01
		<b>CLM/TP-P11/7</b>	<b>4335 000 26141</b>		