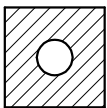
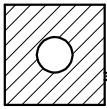
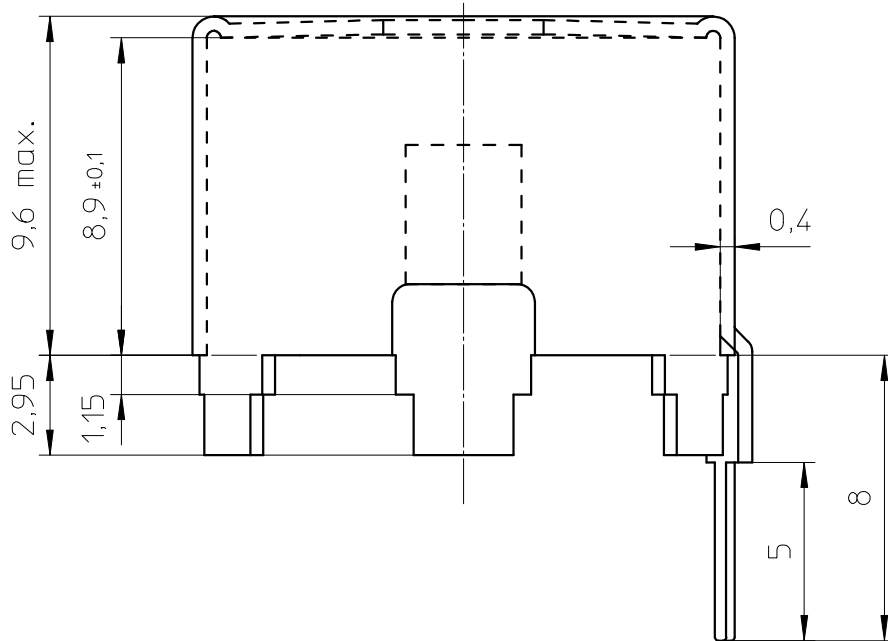
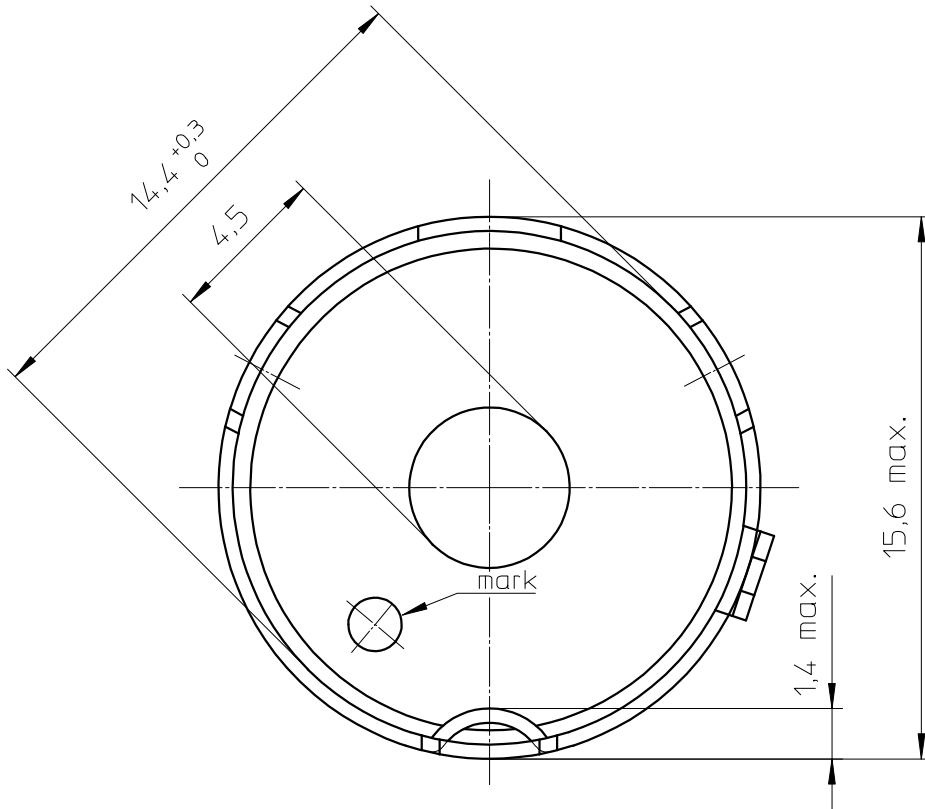


FERROXCUBE



1 2 3 4



Material: Brass, Cu flash, Sn plated.

Solderability acc. to IEC 60 068-2-20 Part 2, Test Ta, Method 1.

CLASS.NO.		CON-P14/8		4322 021 03041		99-11-04	
						03-02-13	
						03-10-30	
						04-10-20	
99-11-04						05-07-14	
NAME NAAM	M.Veekens	SUPERS. VERV.	1	SH BL.	112 - 001	010	A4
MPA	CHECK CONTR.	DAT.	99-01-20	Property of Eigendom van		© FERROXCUBE 2000	