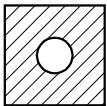
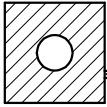


**FERROXCUBE**



1 2 3 4

a

b

c

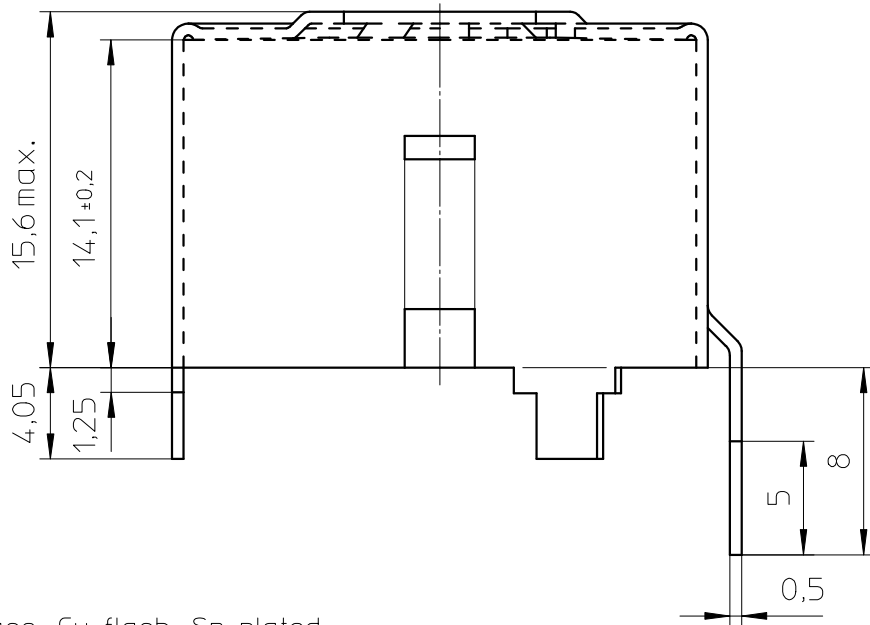
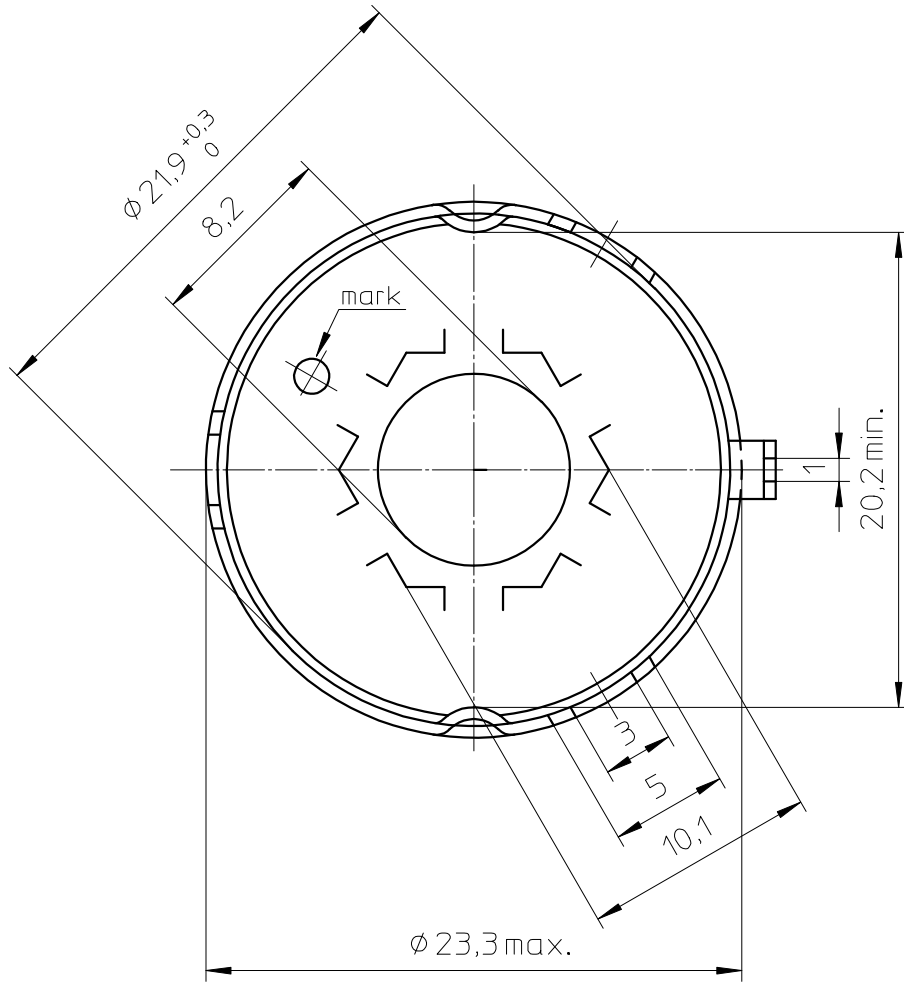
d

a

b

c

d



Material: Brass, Cu flash, Sn plated.

Solderability acc. to IEC 60 068-2-20 Part 2, Test Ta, method 1.

CLASS.NO.		CON-P22/13		4322 021 03051		98-11-23	
99-04-09						99-04-09	
						03-02-13	
						04-10-20	
NAME NAAM		M.Veekens	SUPERS. VERV.	1	SH BL.	112 - 001 010	A4
MPA	CHECK CONTR.	DAT.	98-11-23	Property of Eigendom van		© FERROXCUBE 2000	

