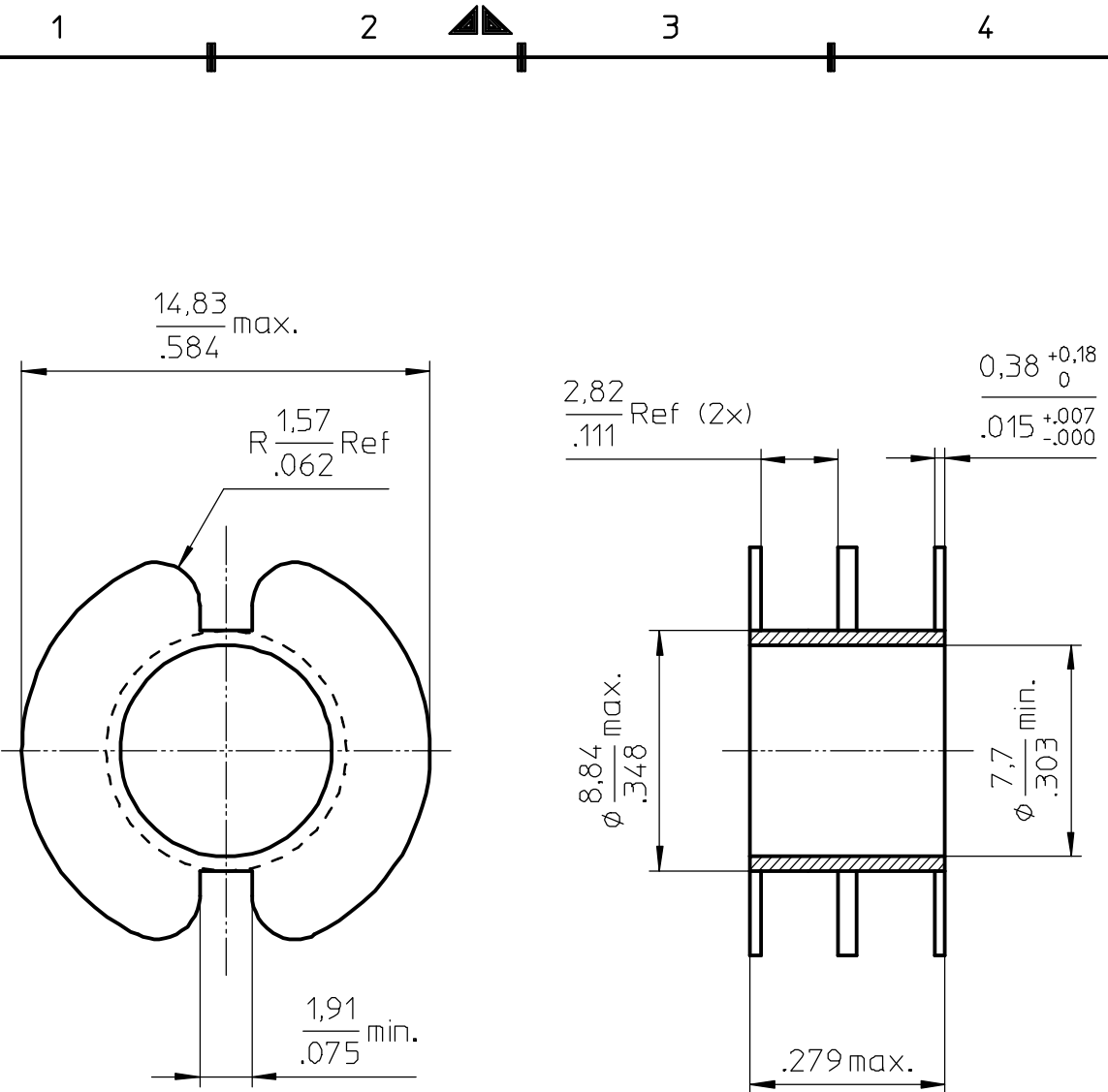
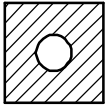


FERROXCUBE



Coil former material: Delrin 900 (POM).
 UL file number: E66288 - UL94HB.
 mean length of turn: 1.5 inch
 winding area: 0.013 sq inch

CP-P18/11-2S-A

4335 000 26081

01-06-01
 02-11-04

NAME NAAM	JON	SUPERS. VERV	1 SH BL	SH BL	112 - 001	A4
MPA	CHECK CONTR.	DAT.	Property of Eigendom van	© FERROXCUBE 2002		