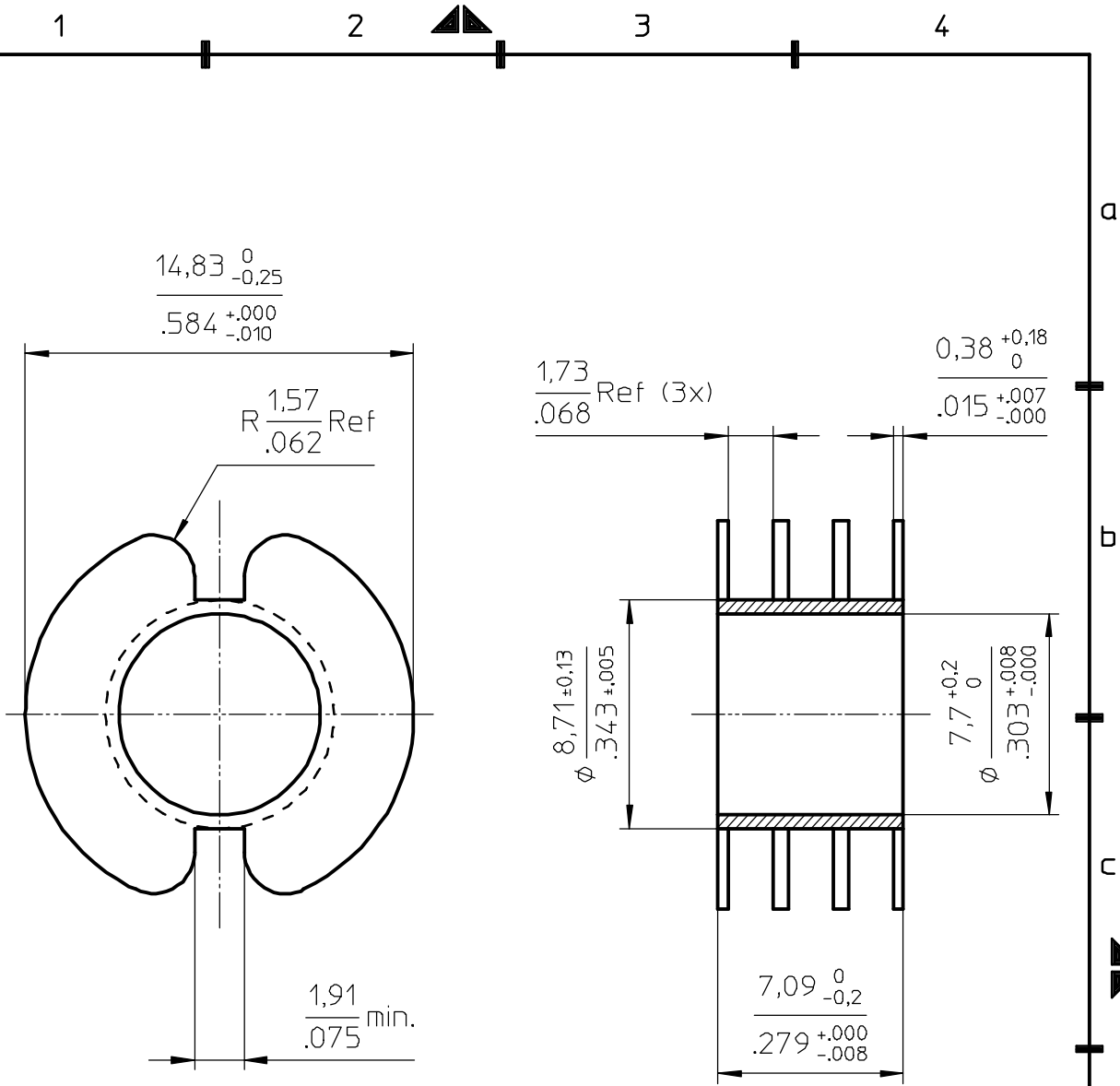
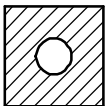
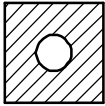


FERROXCUBE



Coil former material: Delrin 900 (POM).

UL file number: E66288 - UL94HB.

CP-P18/11-3S-A

4335 000 26091

01-06-01
02-11-04

NAME NAAM	JON	SUPERS. VERV.	1	SH BL	SH BL	112 - 001		A4
MPA	CHECK CONTR.	DAT.	Property of Eigendom van		© FERROXCUBE 2002			