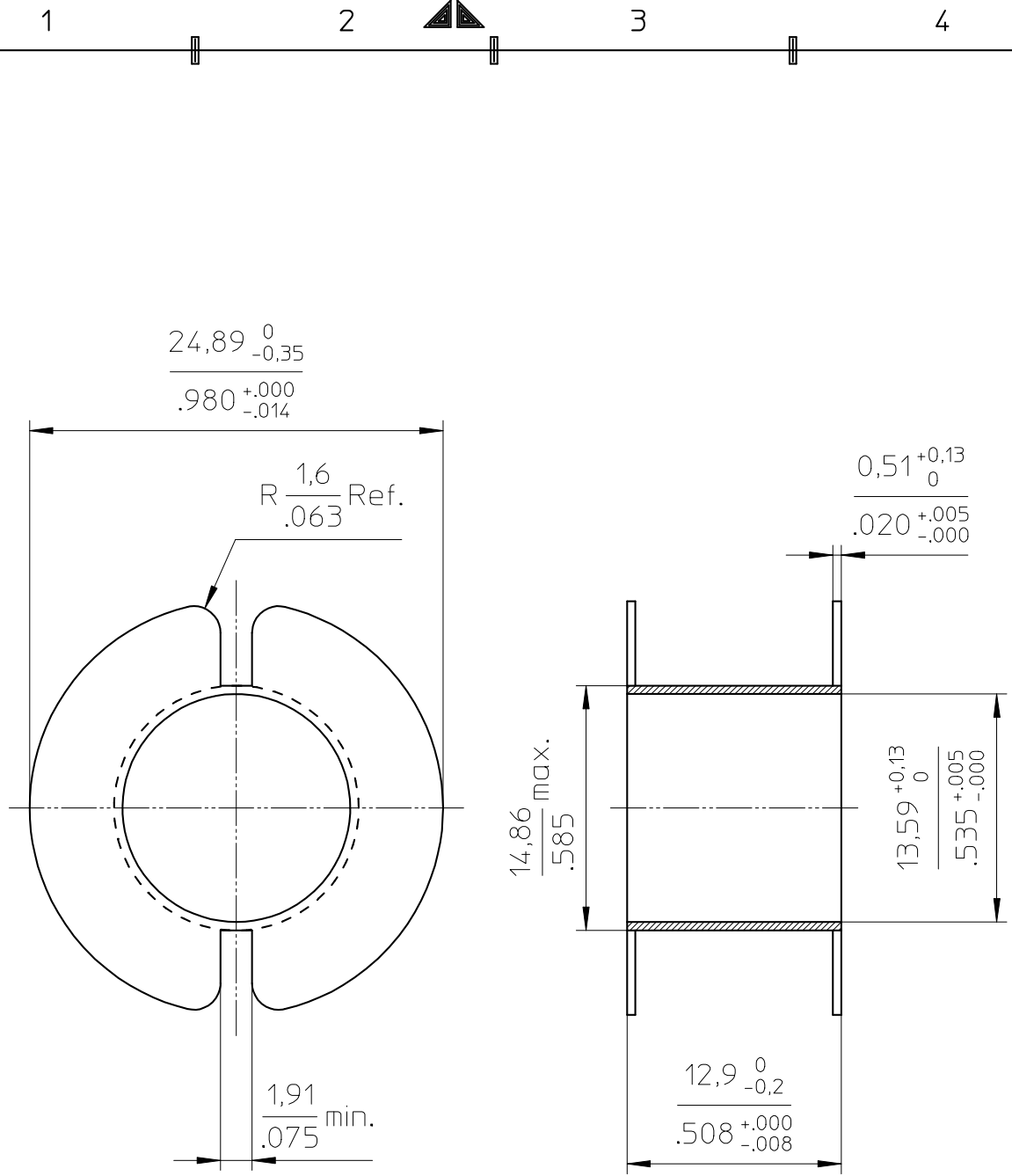


**FERROXCUBE**



Coil former material: Delrin 900 (POM).  
 UL file number: E66288 - UL94HB.  
 max. operating temp: 130°  
 winding area: 0.091 sq inch

CLASS.NO.	CP-P30/19-1S-A		4335 000 26231		01-06-01
					02-11-04
					08-29-08
NAME NAAM	M. Tryngiel	SUPERS. VERV.	1	SH BL.	SH BL.
MPA	CHECK CONTR.	DAT.	Property of Eigendom van	© FERROXCUBE 2000	112 - 001
					A4