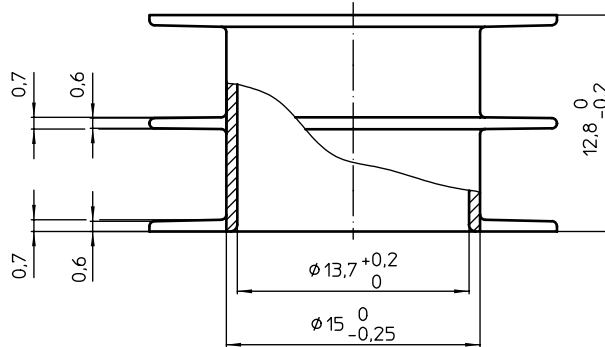
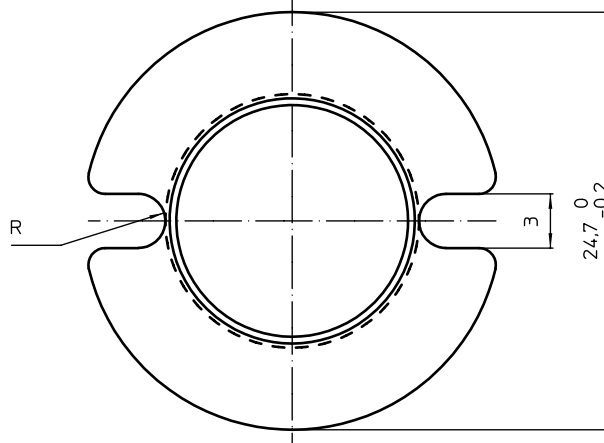


FERROXCUBE



Coil former material: Valox 420SEO (PBT), glass-reinforced.
 UL file number: E45329 - UL94V-0.
 Max. operating temp.: acc. to IEC 60 085 class F, 155°C.
 Min. winding area: 49,8 mm².
 Mean length of turn: 62 mm.

CLASSNO.		CP-P30/19-2S	4322 021 02481	97-08-22						
00-06-29				00-06-29						
NAME	M.Veekens	SUPERS. VERN.	4322 021 30372	1	SRI	112	-	001	010	A4
NPA		CHECK CONTR.	DAT.	97-08-22	Property of Eigenaar van		© FERROXCUBE 2000			