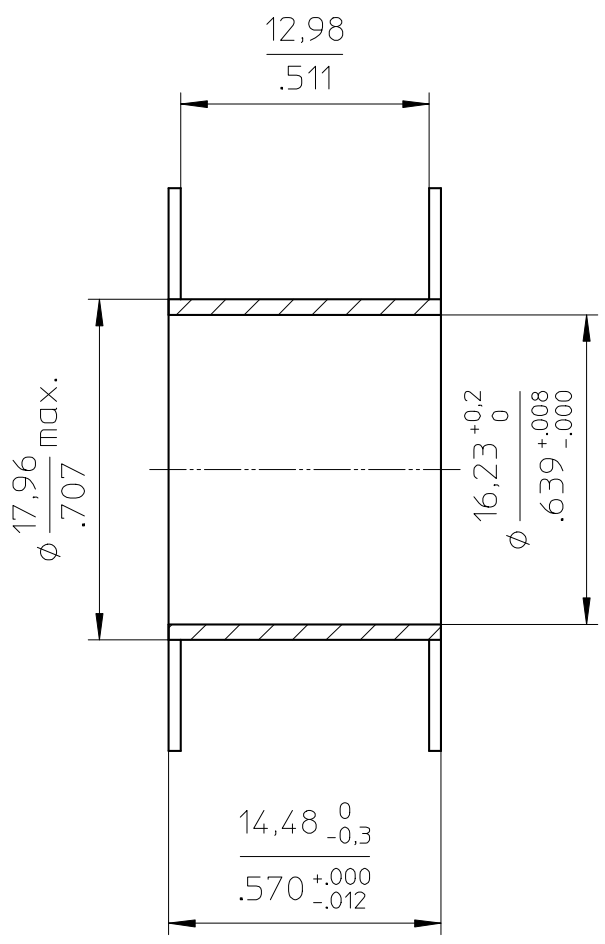
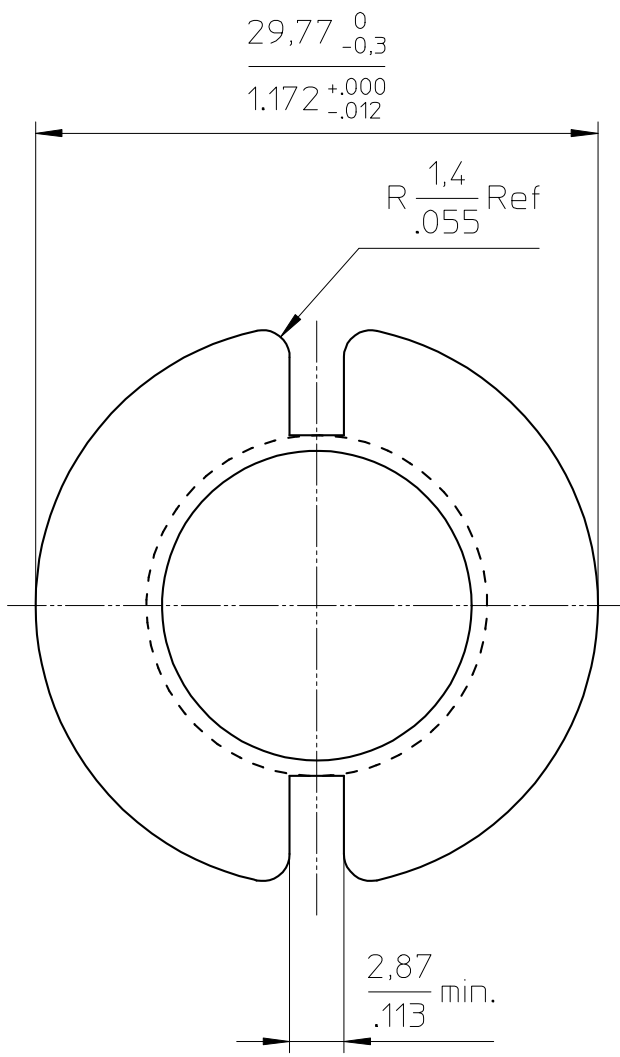


FERROXCUBE



Coil former material: Delrin 900 (POM).
 UL file number: E66288 - UL94HB.
 max. operating temp: 130°

CLASS.NO.			01-06-01
			02-11-04
			04-07-28
CP-P36/22-1S-A		4335 000 26261	
NAME NAAM	Tjon	SUPERS. VERV.	1 SH BL. 112 - 001
MPA	CHECK CONTR.	DAT.	Property of Eigendom van © FERROXCUBE 2000
			A4