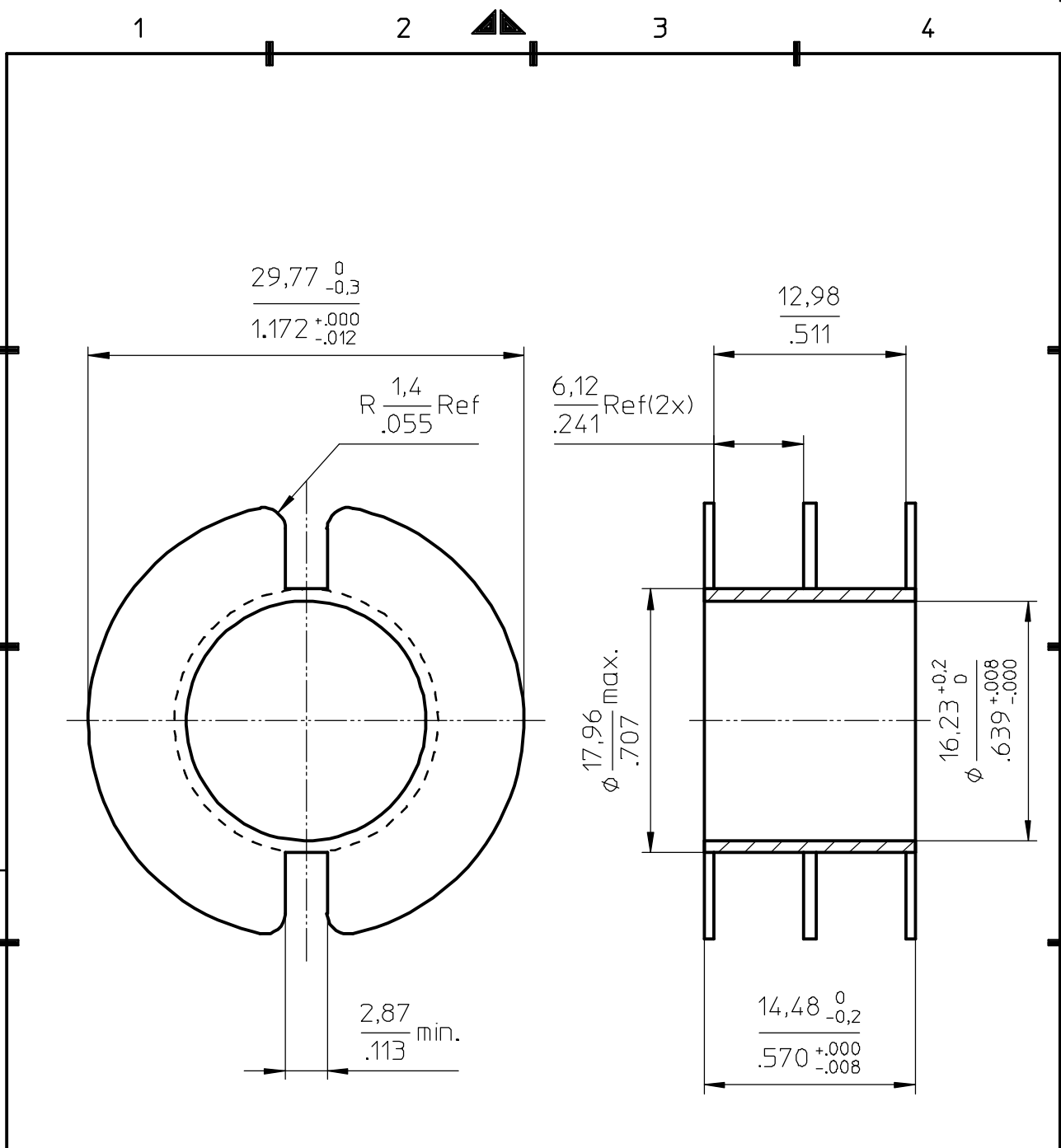
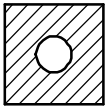
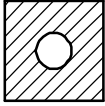


**FERROXCUBE**



Coil former material: Delrin 900 (POM).  
 UL file number: E66288 - UL94HB.  
 max. operating temp: 130°

CLASSNO.		CP-P36/22-2S-A		4335 000 26272		01-06-01	
						02-11-04	
						04-07-28	
NAME NAAM	TJON	SUPERS. VERV	1	SH BL	SH BL	112 - 001	<b>A4</b>
MPA	CHECK CONTR.	DAT.	Property of Eigendom van		© FERROXCUBE 2000		