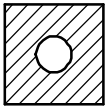
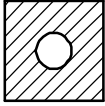


FERROXCUBE



1 2 3 4

a

b

c

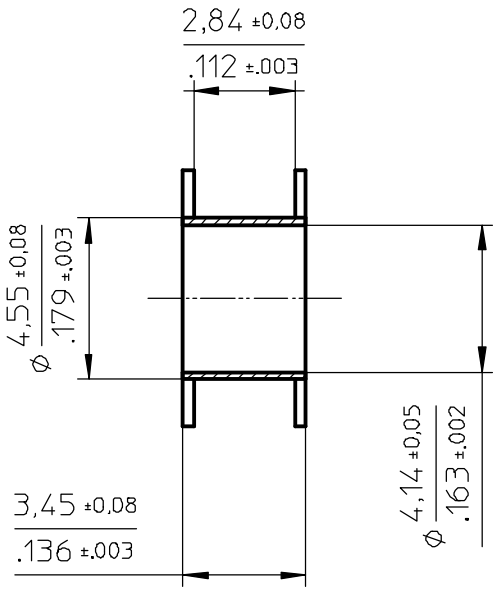
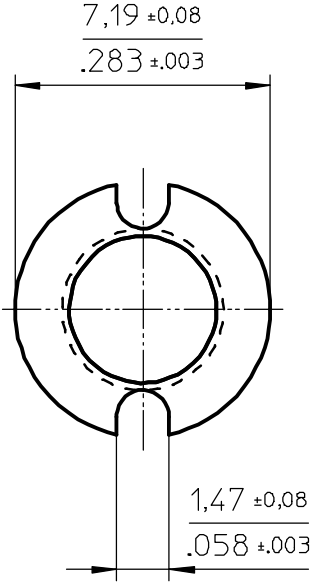
d

a

b

c

d



Coil former material: Delrin 900 (POM)
 UL file number: E66288 - UL94HB
 Max. operating temp. 130°C
 winding area 0.0053 sq inch

CLASSNO.		CP-P9/5-1S-A		4335 000 26001		01-06-01	
						02-11-04	
NAME NAAM	SUPERS. VERV.	SH BL	SH BL	1	- 112	001	A4
MPA	CHECK CONTR.	DAT.	Property of Eigendom van	© FERROXCUBE 2000			

