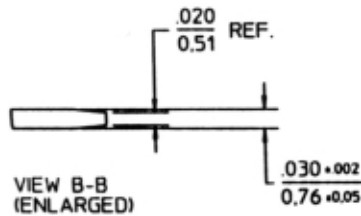
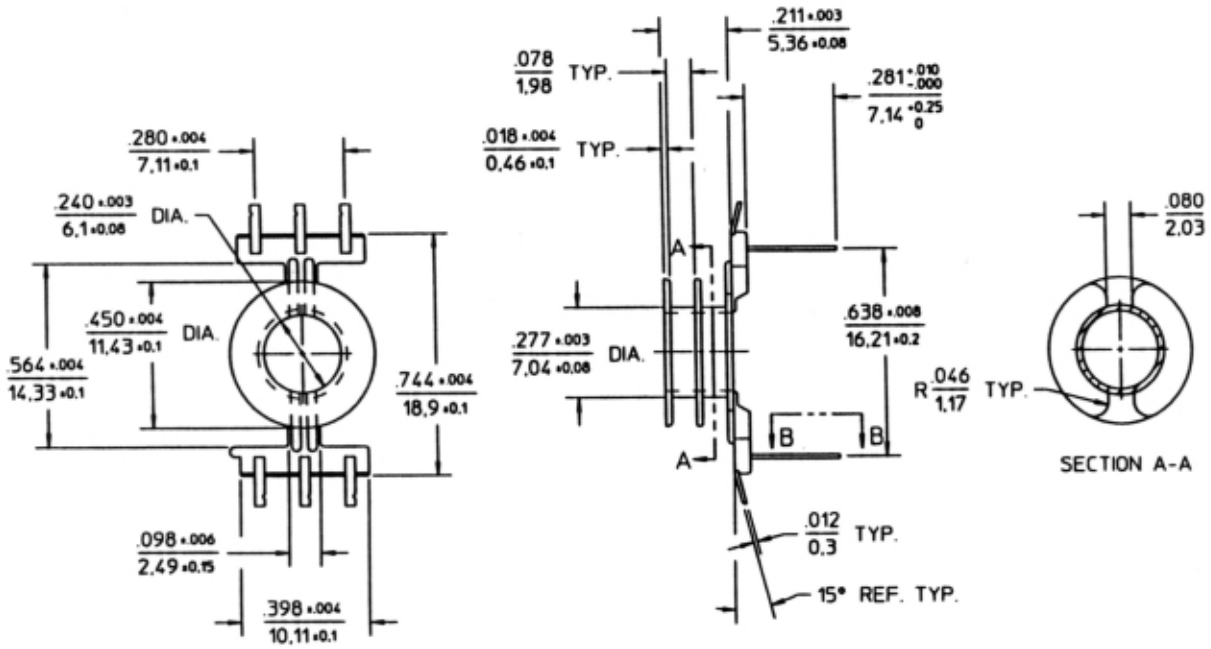


FERROXCUBE



Coilformer material: Zytel FR50 (PA), glass-reinforced
 UL file number: E41938 - UL94V-0
 Max operating temp: 130C
 Pin material: 70/30 Brass, Sn. plated
 Solderability: acc. to MIL-STD 202, method 208
 Mean length of turn: 1.142 inch
 Winding area: 0.007 sq inch

| | | | | | |
|--|--|----------------------------|--|-----------------------|--|
| | | | | 01-06-01 | |
| | | CPV-P14/8-2S-6PDL-Z | | 4335 060 26421 | |
| | | | | | |
| | | | | | |
| | | | | | |