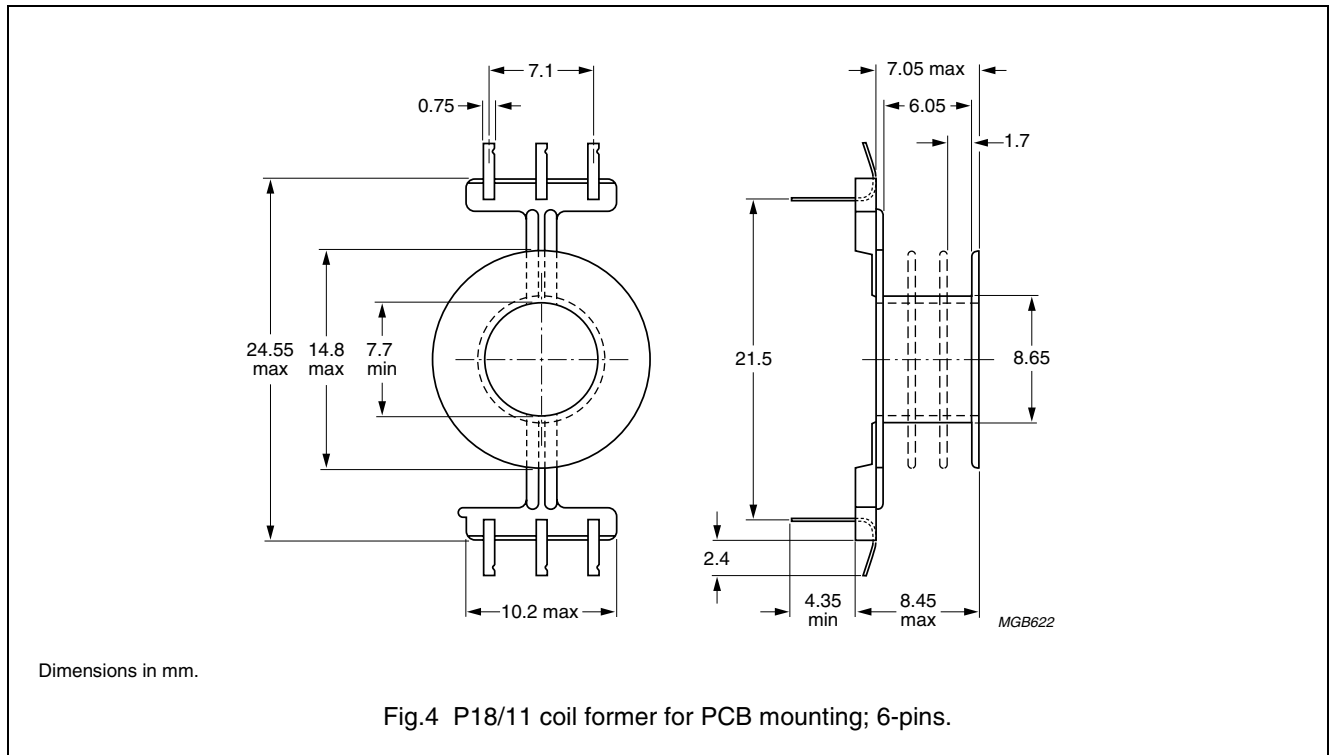


General data 6-pins P18/11 coil former for PCB mounting

PARAMETER	SPECIFICATION
Coil former material	polyamide (PA6.6), glass reinforced, flame retardant in accordance with "UL 94V-0"; UL file number E41938(M)
Maximum operating temperature	130 C, "IEC 60085", class B
Pin material	copper-zinc alloy (CuZn), tin (Sn) plated
Resistance to soldering heat	"IEC 60068-2-20", Part 2, Test Tb, method 1B, 350 C, 3.5 s
Solderability	"IEC 60068-2-20", Part 2, Test Ta, method 1, 235 C, 2 s



Data for 6-pins P18/11 coil former for PCB mounting

NUMBER OF SECTIONS	MINIMUM WINDING AREA (mm ²)	NOMINAL WINDING WIDTH (mm)	AVERAGE LENGTH OF TURN (mm)	LENGTH OF PINS (mm)	TYPE NUMBER
1	16.8	6.0	36.7	4.4	CPV-P18/11-1S-6PD-Z
1	16.8	6.0	36.7	6.8	CPV-P18/11-1S-6PDL-Z
2	2 7.61	2 2.8	36.7	4.4	CPV-P18/11-2S-6PD-Z
2	2 7.61	2 2.8	36.7	6.8	CPV-P18/11-2S-6PDL-Z
3	3 4.58	3 1.7	36.7	4.4	CPV-P18/11-3S-6PD-Z
3	3 4.58	3 1.7	36.7	6.8	CPV-P18/11-3S-6PDL-Z