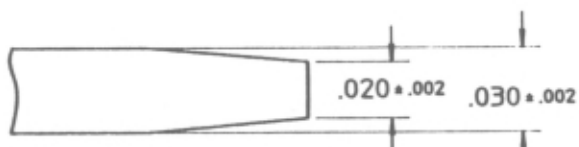
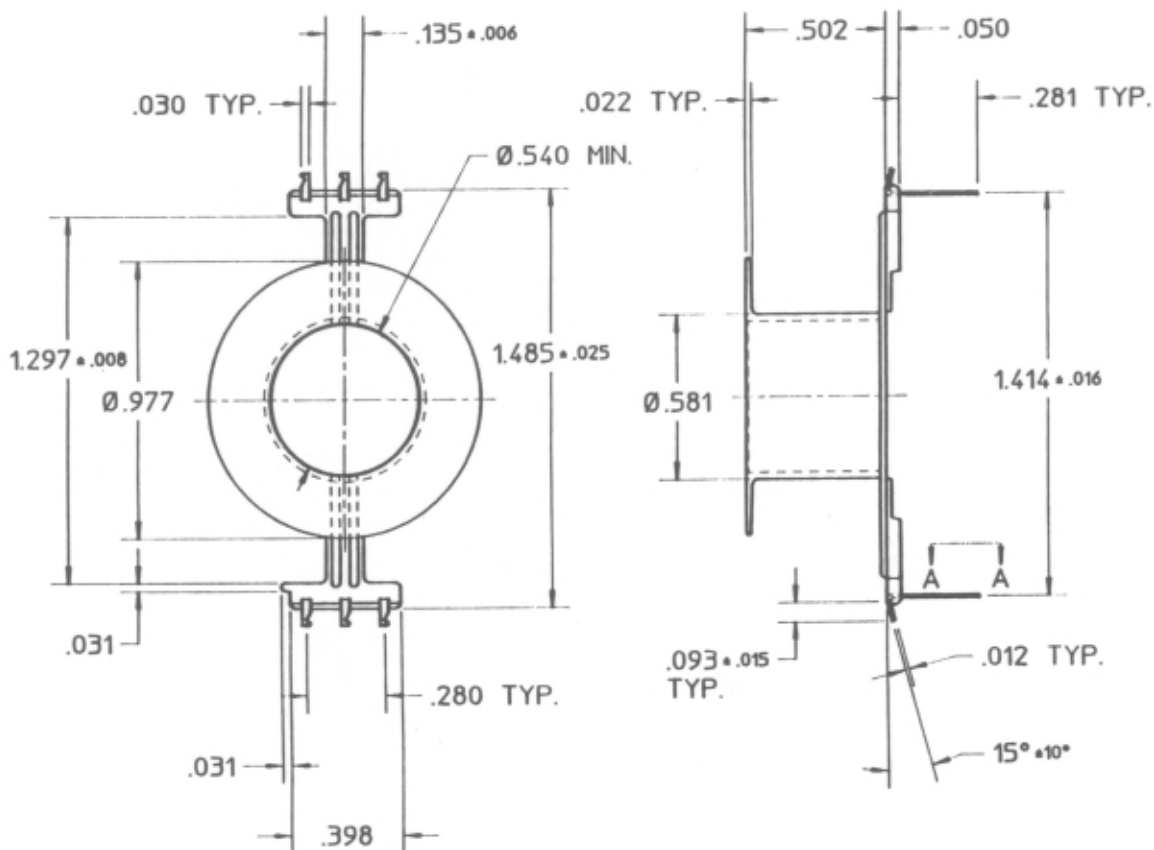
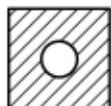
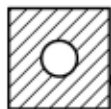


FERROXCUBE



VIEW A-A
(ENLARGED)

Coilformer material: Zytel 70G33L (PA), glass-reinforced
 UL file number: E41938 - UL94HB
 Max operating temp: 130C
 Pin material: 70/30 Brass, SnPb plated
 Solderability: acc. to MIL-STD 202, method 208

				01-06-01	
		CPV-P30/19-1S-6PDL-Z		4335 060 26651	