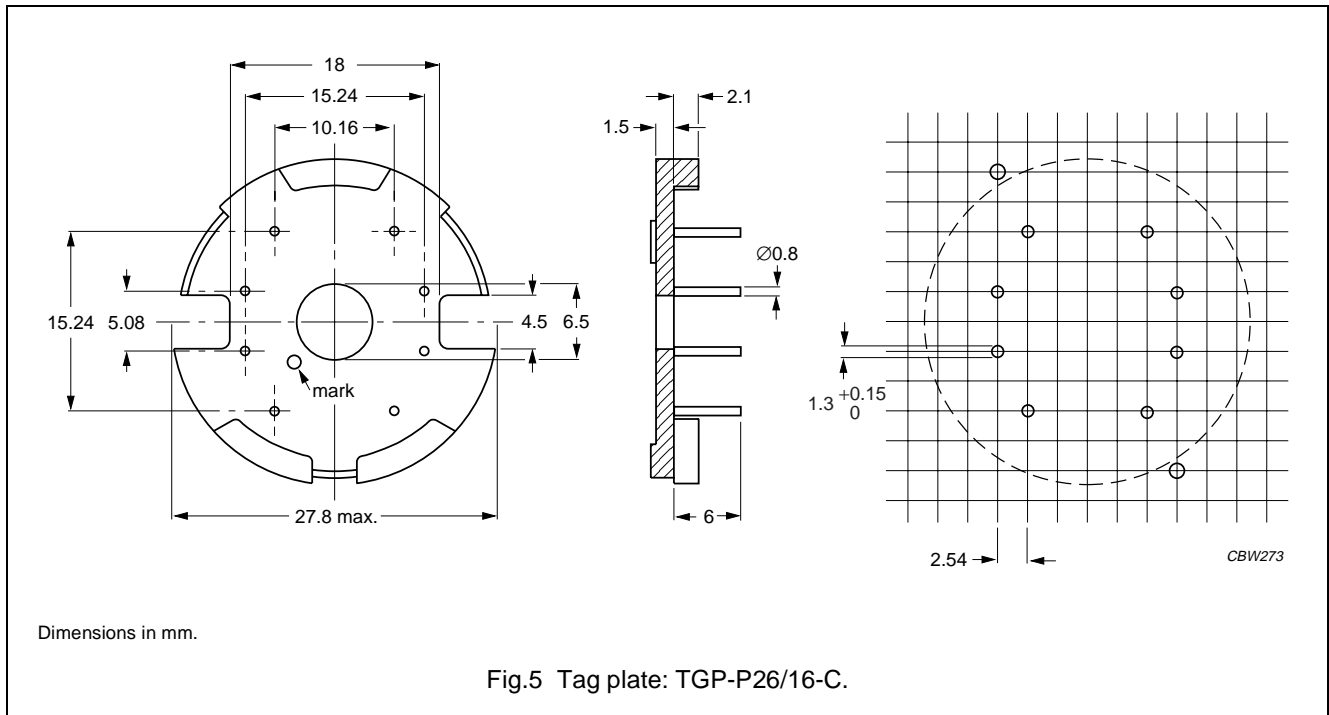
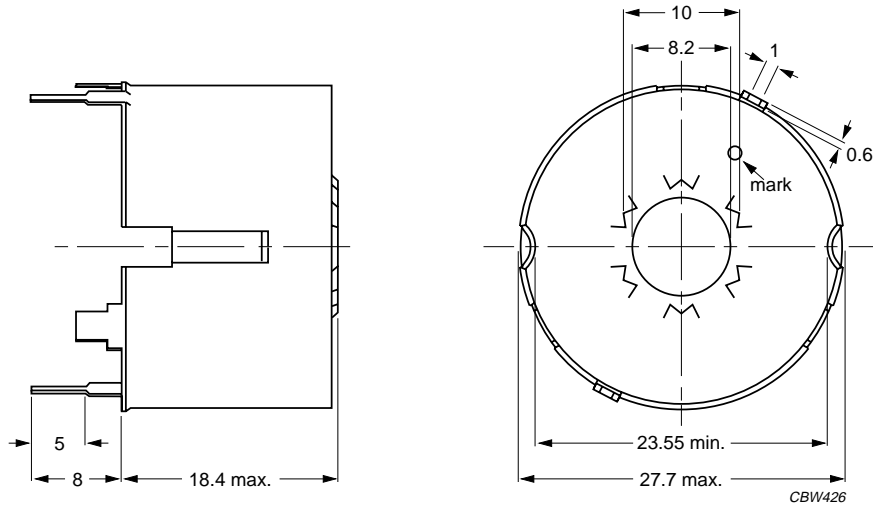


MOUNTING PARTS

General data

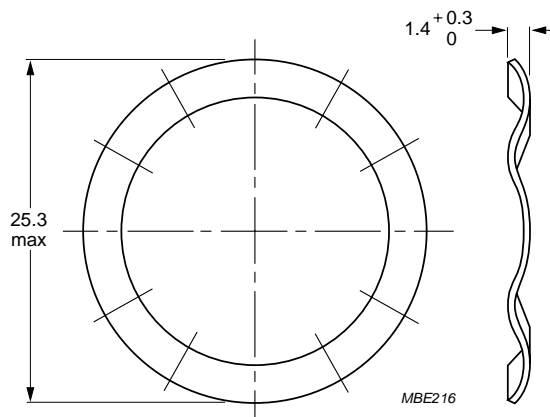
ITEM	REMARKS	FIGURE	TYPE NUMBER
Tag plate	material: phenolformaldehyde (PF), glass reinforced	5	TGP-P26/16-C
	flame retardant: in accordance with "UL 94V-0"; UL file number E41429		
	maximum operating temperature: 180 °C, "IEC 60085", class H		
	pins: copper-tin alloy (CuSn), tin (Sn) plated		
	resistance to soldering heat in accordance with "IEC 60068-2-20", Part 2, Test Tb, method 1B: 350 °C, 3.5 s		
	solderability in accordance with "IEC 60068-2-20", Part 2, Test Ta, method 1: 235 °C, 2 s		
Container	copper-zinc alloy, tin (Sn) plated	6	CON-P26/16
	earth pins: presoldered		
Spring	CrNi-steel	7	SPR-P26/16
	spring force: ≈200 N when mounted		
Clamp	spring steel, tin-plated	8	CLM/TP-P26/16





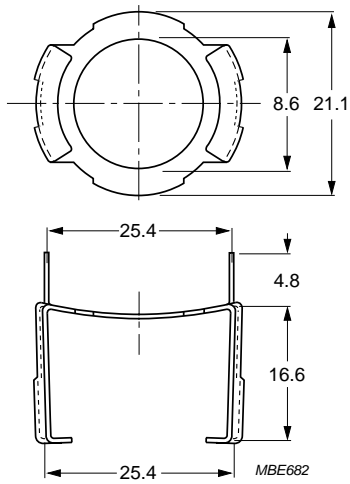
Dimensions in mm.

Fig.6 P26/16 container.



Dimensions in mm.

Fig.7 P26/16 spring.



Dimensions in mm.

Fig.8 Clamp: CLM/TP-P26/16.