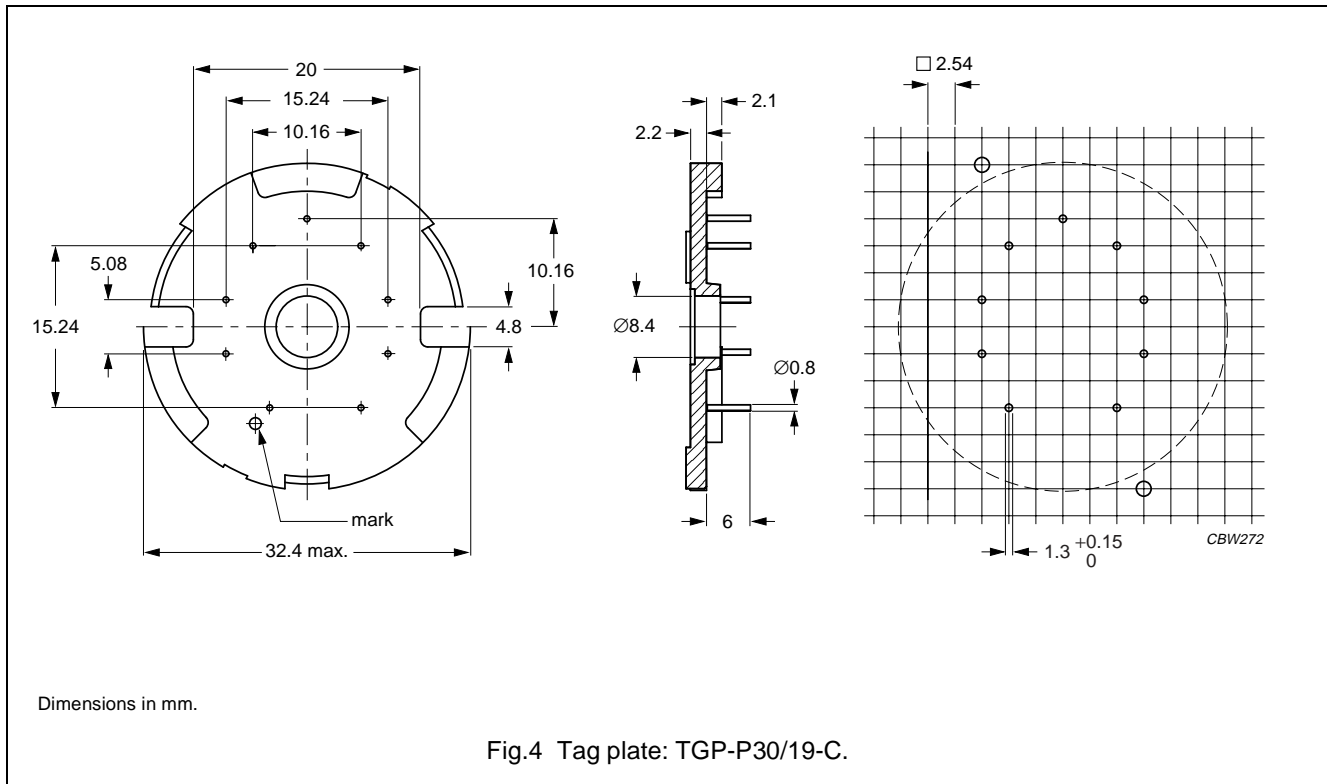
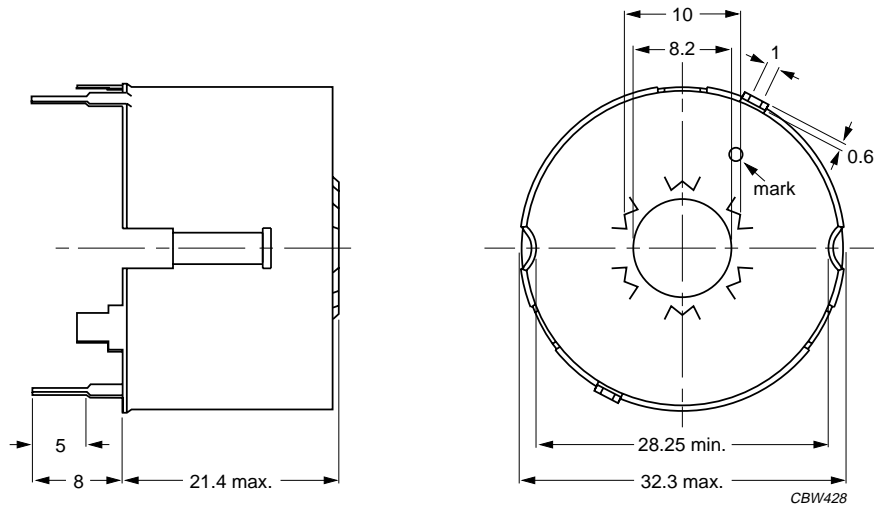


MOUNTING PARTS

General data and ordering information

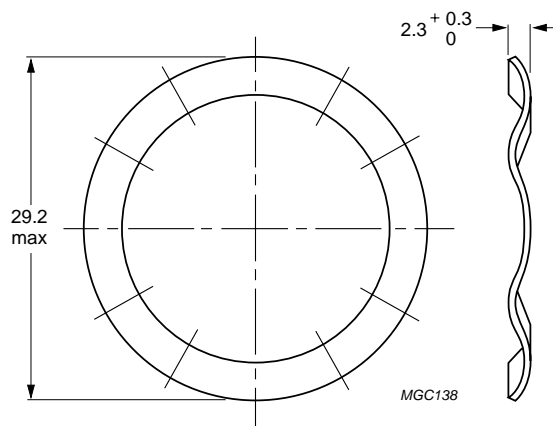
ITEM	REMARKS	FIGURE	TYPE NUMBER
Tag plate	material: phenolformaldehyde (PF), glass reinforced	4	TGP-P30/19-C
	flame retardant: in accordance with "UL 94V-0"; UL file number E41429		
	maximum operating temperature: 180 °C, "IEC 60085", class H		
	pins: copper-tin alloy (CuSn), tin (Sn) plated		
	resistance to soldering heat in accordance with "IEC 60068-2-20", Part 2, Test Tb, method 1B: 350 °C, 3.5 s		
	solderability in accordance with "IEC 60068-2-20", Part 2, Test Ta, method 1: 235 °C, 2 s		
Container	copper-zinc alloy (CuZn), tin (Sn) plated	5	CON-P30/19
	earth pins: presoldered		
Spring	CrNi-steel	6	SPR-P30/19
	spring force: ≈250 N when mounted		
Clamp	spring steel, tin-plated	7	CLM/TS-P30/19





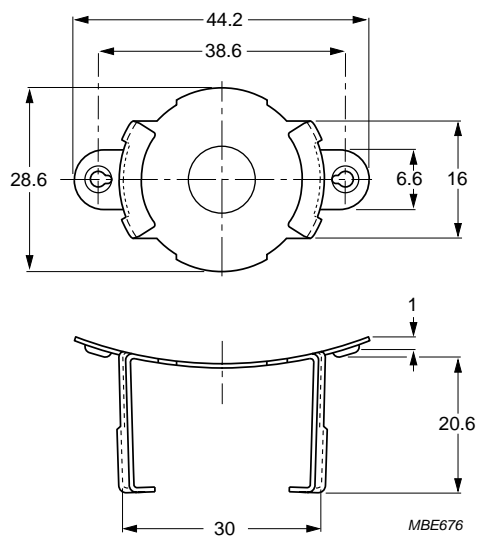
Dimensions in mm.

Fig.5 P30/19 container.



Dimensions in mm.

Fig.6 P30/19 spring.



Dimensions in mm.

Fig.7 Clamp CLM/TS-P30/19.