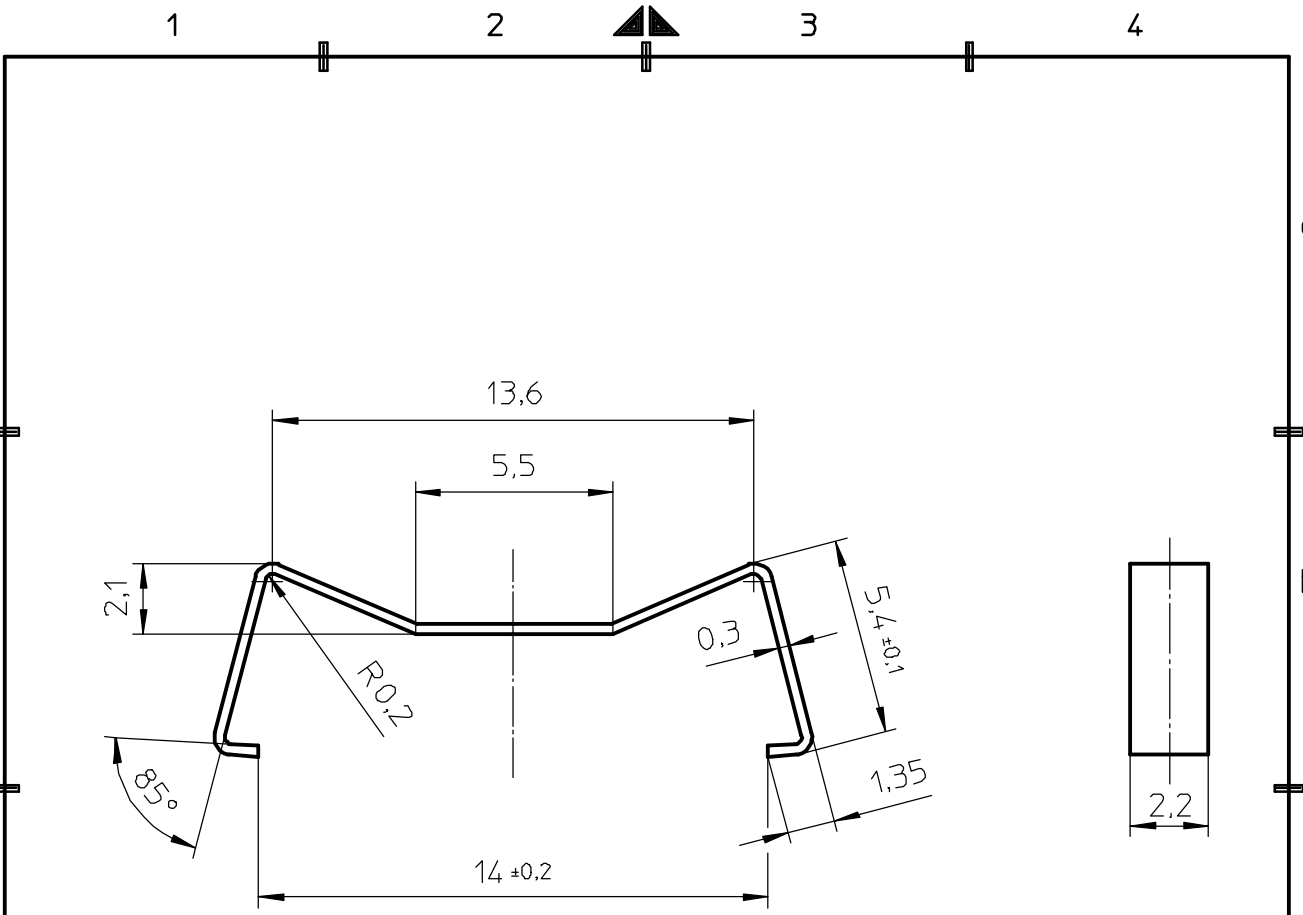
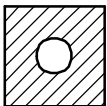
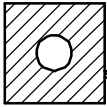


**FERROXCUBE**



Clip material: Corrosion resisting steel X12 CrNi 17 7

CLASS NO.									96-07-15	
									98-02-18	
									98-12-04	
NAME NAAM	M.Veekens	SUPERS. VERV.	8222 294 45271	1	SH BL	112	-	001	010	<b>A4</b>
MPA	CHECK CONTR.	DAT.	96-07-15	Property of Eigendom van		© FERROXCUBE 2000				

CLM-E14/PLT14

4322 021 01611

98-02-18