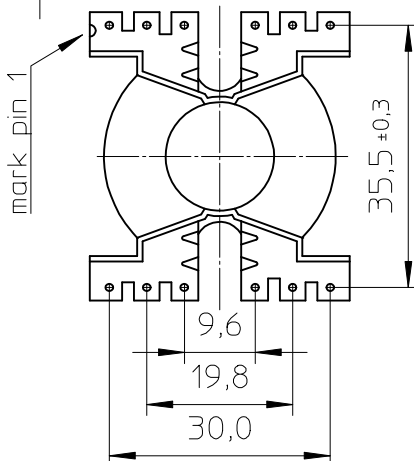
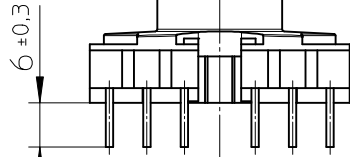
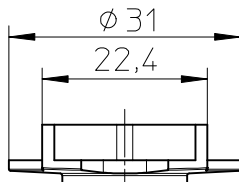
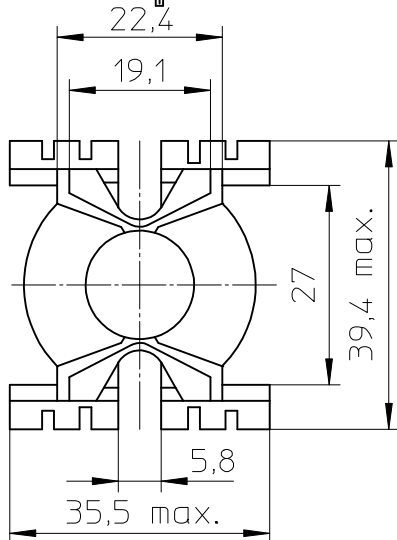
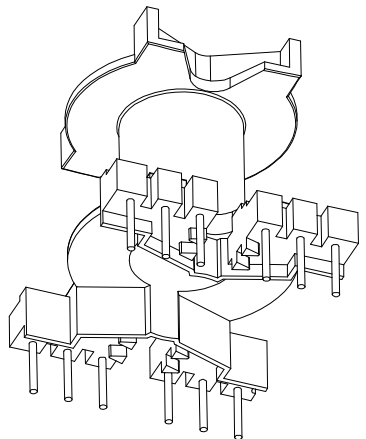
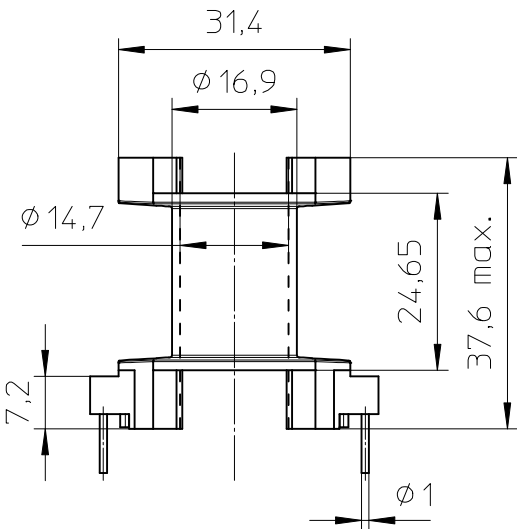
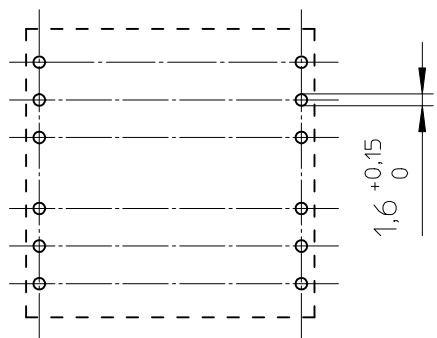


FERROXCUBE

1 2 3 4



PROPOSED HOLE PATTERN:



Coil former material: Rynite FR530 (PET), glass-reinforced.
 Pin material: UL file number: E41938 - UL94V-0.
 Max. operating temp.: Copper-plated steel wire, Sn plated.
 Resistance to soldering heat: acc. to IEC 60 085 class H, 180°C.
 Solderability: acc. to IEC 60 068-2-20 Part 2, Test Tb, method 1B, 350°C-3,5s
 Min. winding area: 152 mm.²
 Mean length of turn: 75 mm.

CLASS.NO.		CPV-PQ35/35-1S-12P-Z		4322 021 06441		04-07-2004	
						12-03-2007	
NAME NAAM		A.Wojtasz		1 SH BL.		112 - 001 010	
MPA		CHECK CONTR.		DAT.		A4	
		04-07-2004		Property of Eigendom van		© FERROXCUBE 2000	