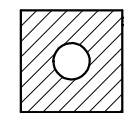


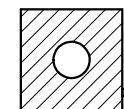
FERROXCUBE



c



d



e

f



1

2

3

4

5

6

7

8

a

b

c

d

e

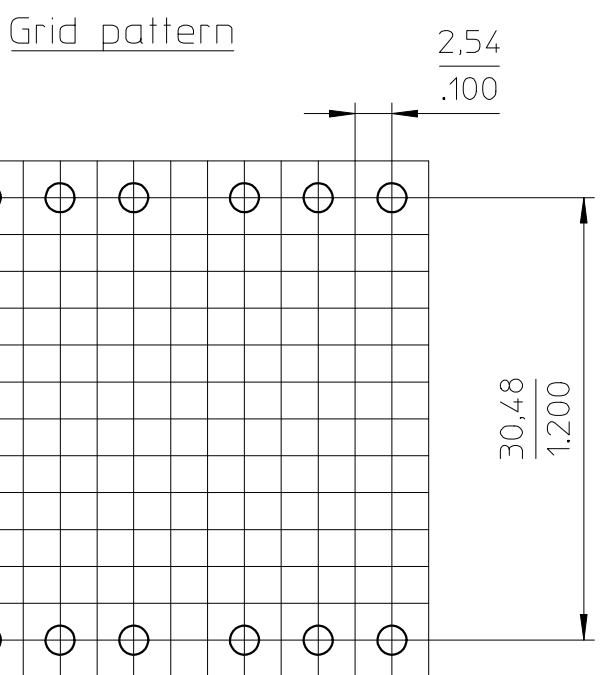
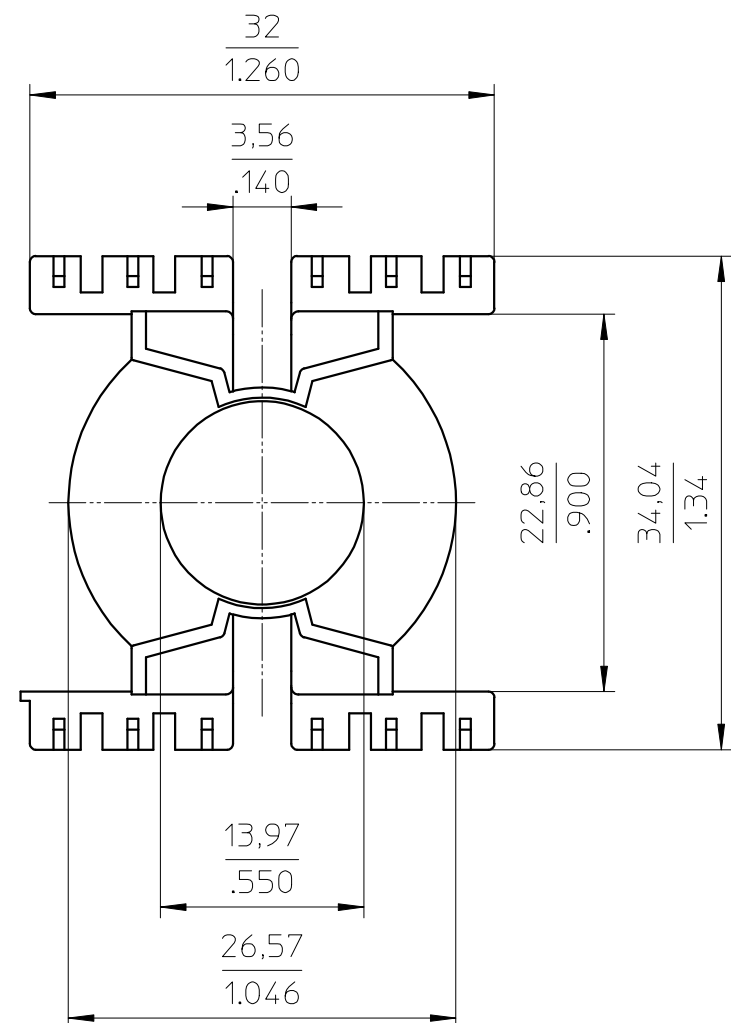
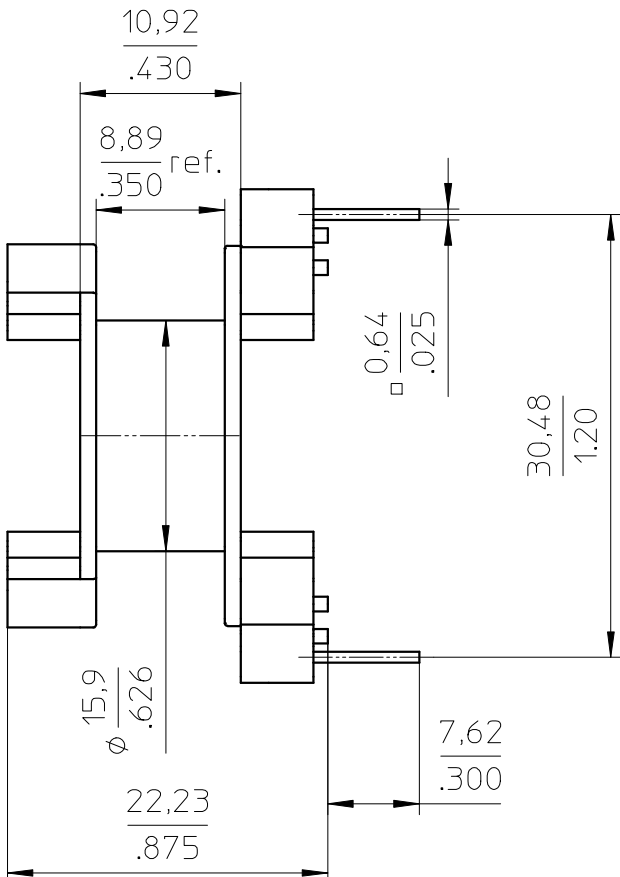
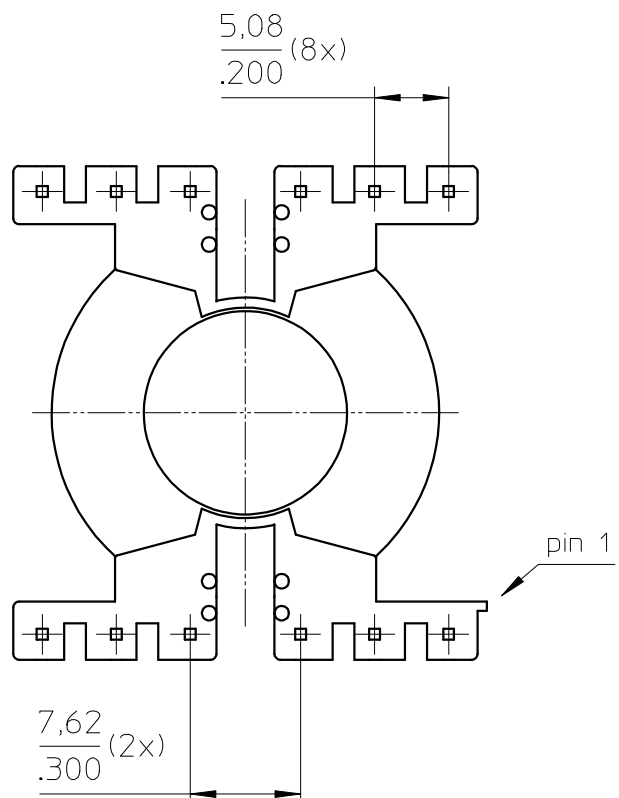
f

a

b

c

d



Coil former material: Rynite FR530 (PET), glass-reinforced, (color black).
 UL file number: E41938 - UL94V-0.
 max. operating temp: 180°C, class H
 pin material: Copper-plated steel wire, Sn plated.
 solderability: acc. to IEC 60068-2-20 part2, Test Ta method 1, 235C-2sec.
 mean length of turn: 2.626 inch
 winding area: 0.074 sq. inch.

CLASS.NO.	CPV-PQ32/20-1S-12P-Z		4335 060 26791	06-02-22
NAME NAAM	A.Wojtasz	SUPERS. VERV.	-	A3
MPA	CHECK CONTR.	DAT.	06-02-22	Property of Eigendom van © FERROXCUBE 2000