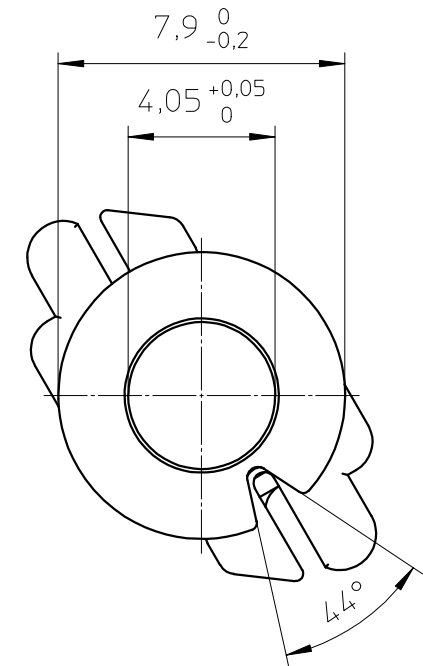
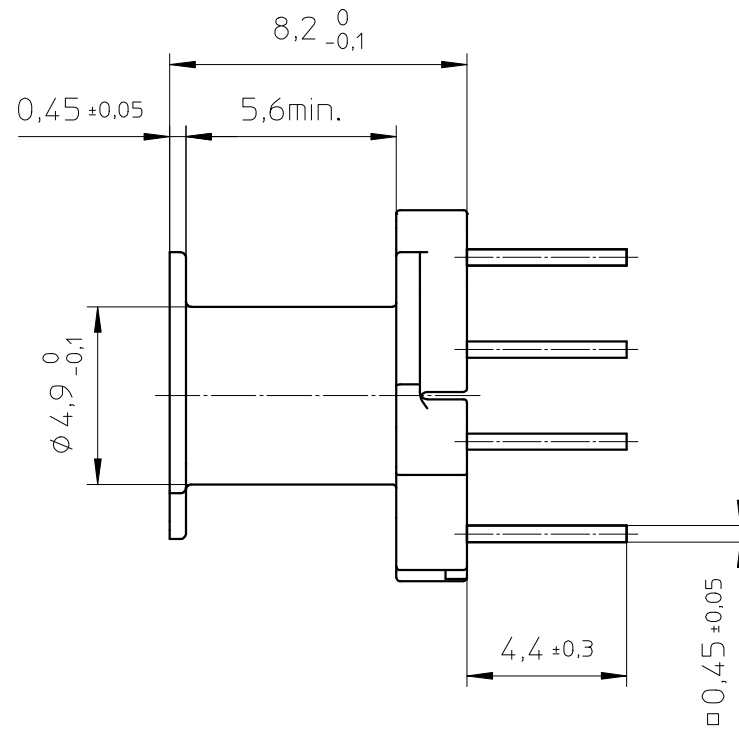
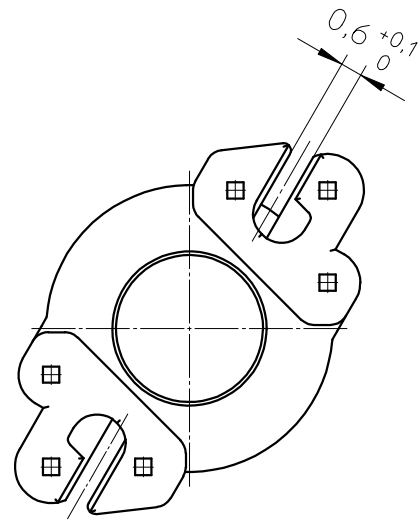
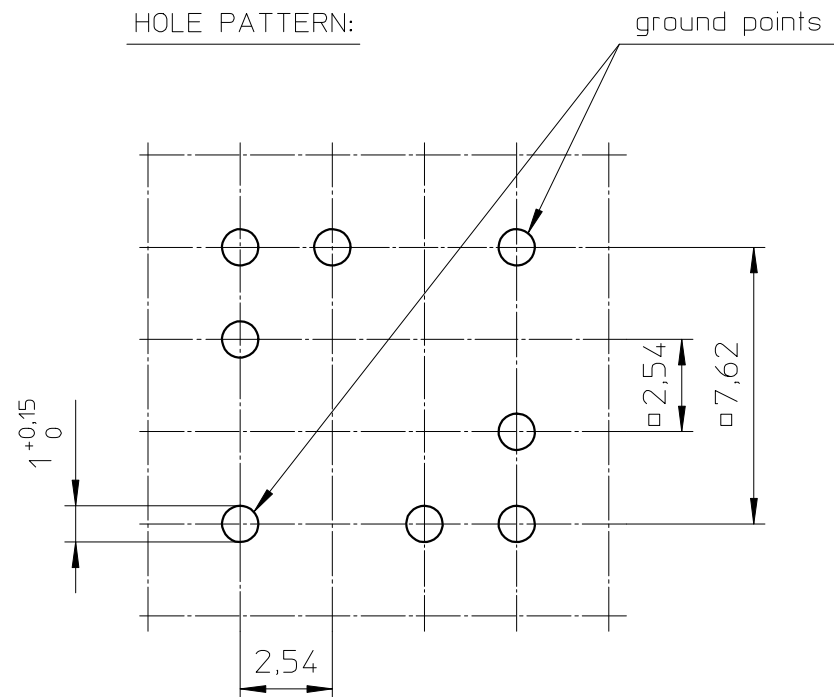


FERROXCUBE



HOLE PATTERN:



Coil former material: Sumikon PM9630 (PF), glass-reinforced.
 UL file number: E41429(M) - UL94V-0.

Pin material: Copper-clad steel, Sn plated.

Max. operating temp.: acc. to IEC 60 085 class F, 155°C.

Resistance to soldering heat: acc. to IEC 60 068-2-20 Part 2, Test Tb, method 1B, 350°C - 35s.

Solderability: acc. to IEC 60 068-2-20 Part 2, Test Ta, method 1, 235°C - 2s

Min. winding area: 7,8 mm².

Mean length of turn: 19,8 mm.



| | | | | |
|-------------------|-----------------|-------------------|---------------|-----------------------------|
| CLASS.NO. | 2005-08-11 | | 2005-09-15 | |
| CSV-RM4-1S-6P-TAZ | | 4322 021 06481 | | |
| NAME NAAM | M.Veekens | SUPERS. VERV. | 001 SH BL. | 112 - 001 |
| MPA | CHECK CONTR. | DAT. | 2005-08-11 | Property of Eigendom van |
| | | © FERROXCUBE 2000 | | A3 |