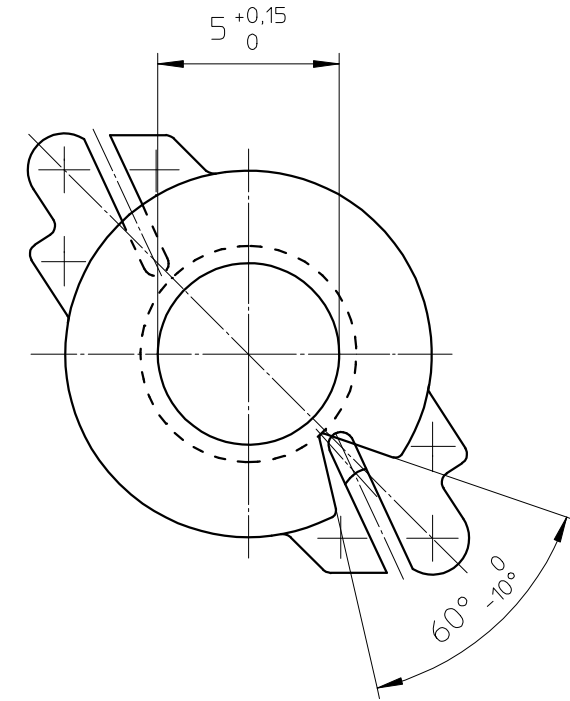
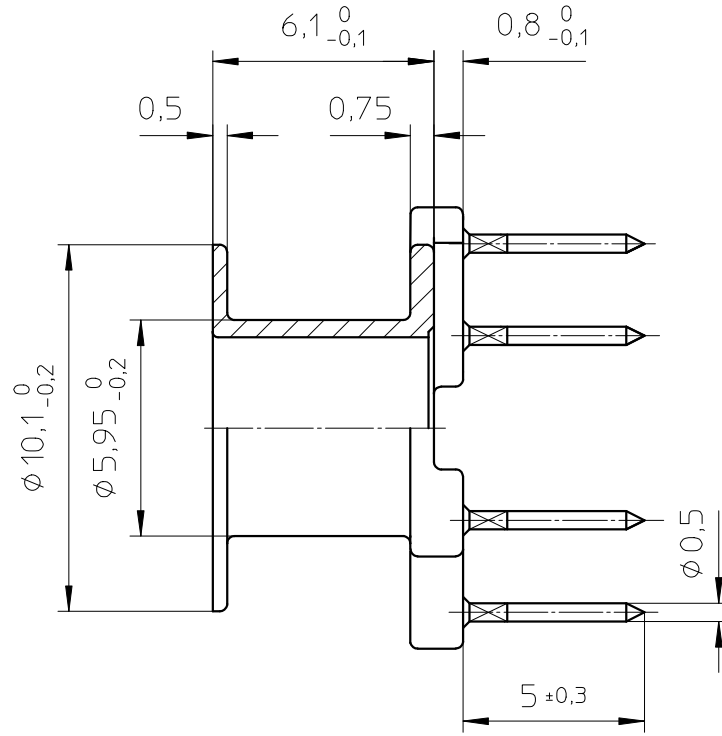
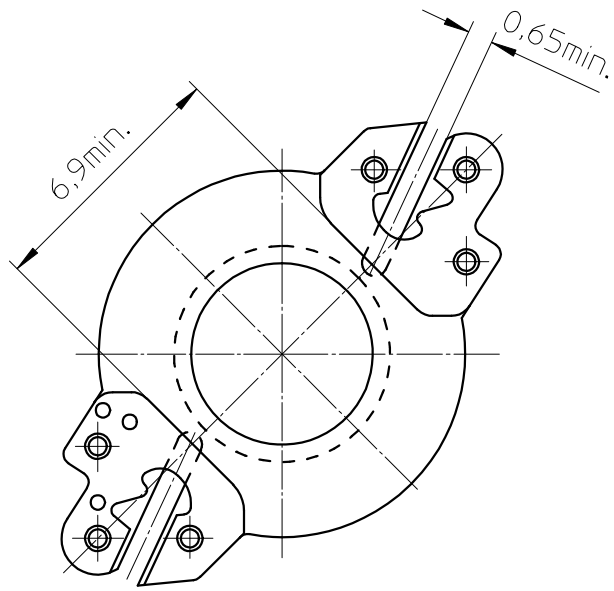
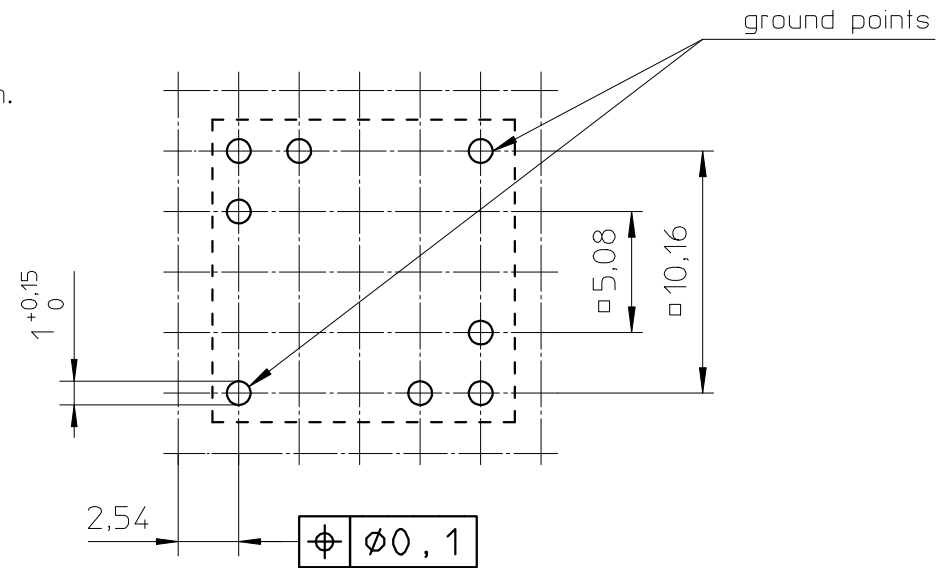


**FERROXCUBE**



HOLE PATTERN:

Space requirement 5x5 pitch.



- Coil former material: Bakelite UP 3420 (UP), glass-reinforced.  
UL file number: E61040 - UL94V-0.
- Pin material: CuSn - Ni flash, Sn plated.
- Max. operating temp.: acc. to IEC 60 085 class H, 180°C.
- Resistance to soldering heat: acc. to IEC 60 068-2-20 Part 2, Test Tb, method 1B, 350°C-3,5s.
- Solderability: acc. to IEC 60 068-2-20 Part 2, Test Ta, method 1, 235°C-2s.
- Min. winding area: 9,2 mm<sup>2</sup>
- Mean length of turn: 24,9 mm.

CLASS.NO.	CSV-RM5-1S-6P-G		4322 021 00851		00-05-01
00-05-01					00-08-01
					02-04-04
					03-06-30
					05-09-01
NAME NAAM MPA	M.Veekens	SUPERS. VERV.	1	SH BL.	112 - 001
CHECK CONTR.		DAT.	94-11-03	Property of Eigendom van	© FERROXCUBE 2000
					010
					A3