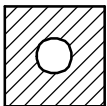
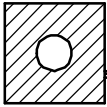


FERROXCUBE

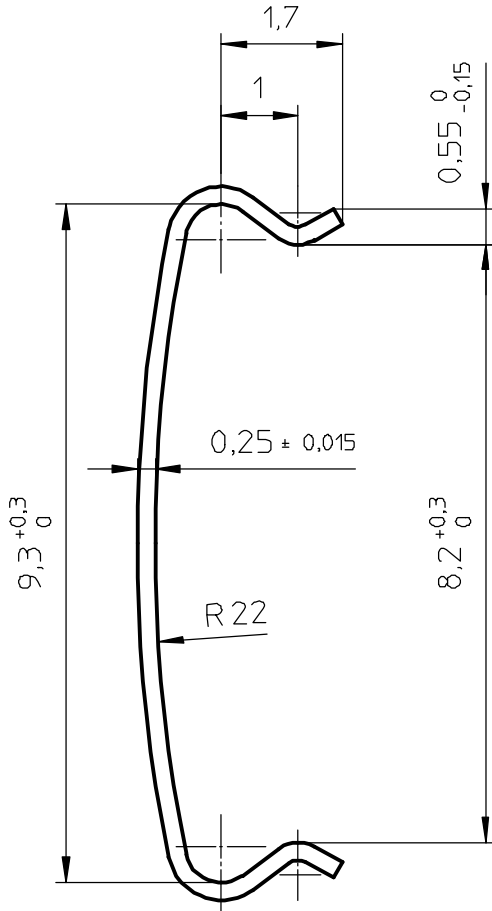
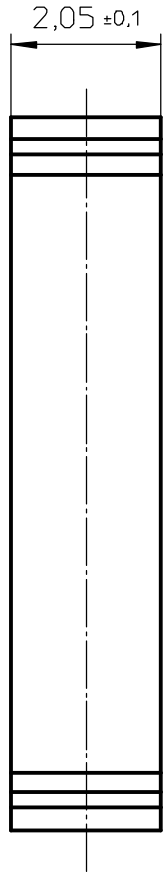


1

2

3

4



Clamping force by 9,1 mm : 6N.

Clip material : corrosion resisting steel X12 CrNi 17 7

CLASS NO.

98-08-03

CLI-RM4/5/I

4322 021 34941

~~94-03-01~~

~~95-04-18~~

~~97-12-09~~

~~98-01-23~~

98-08-03

NAME
NAAM H. Tabben

SUPERS.
VERV.

1

SH
BL

112

-

001

010

A4

MPA

CHECK
CONTR.

DAT.

91-09-13

Property of
Eigendom van

© FERROXCUBE 2000