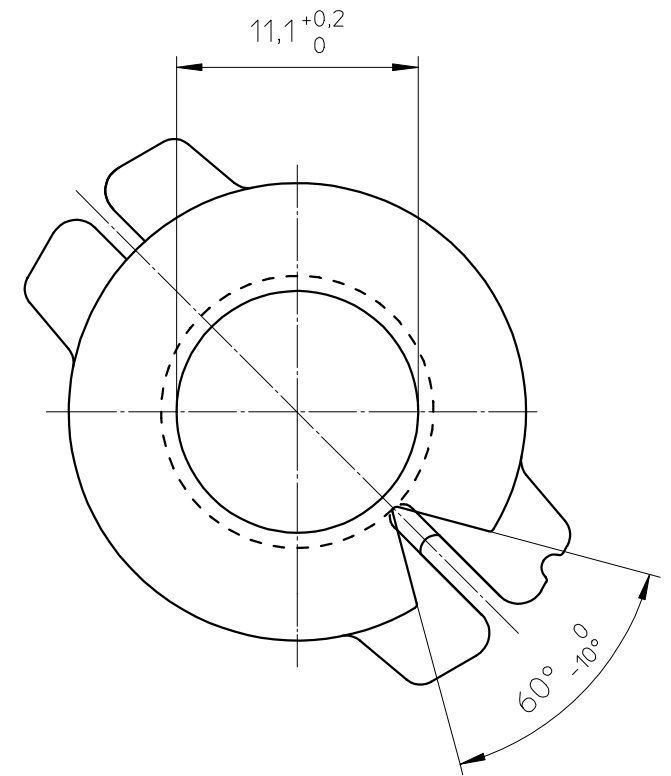
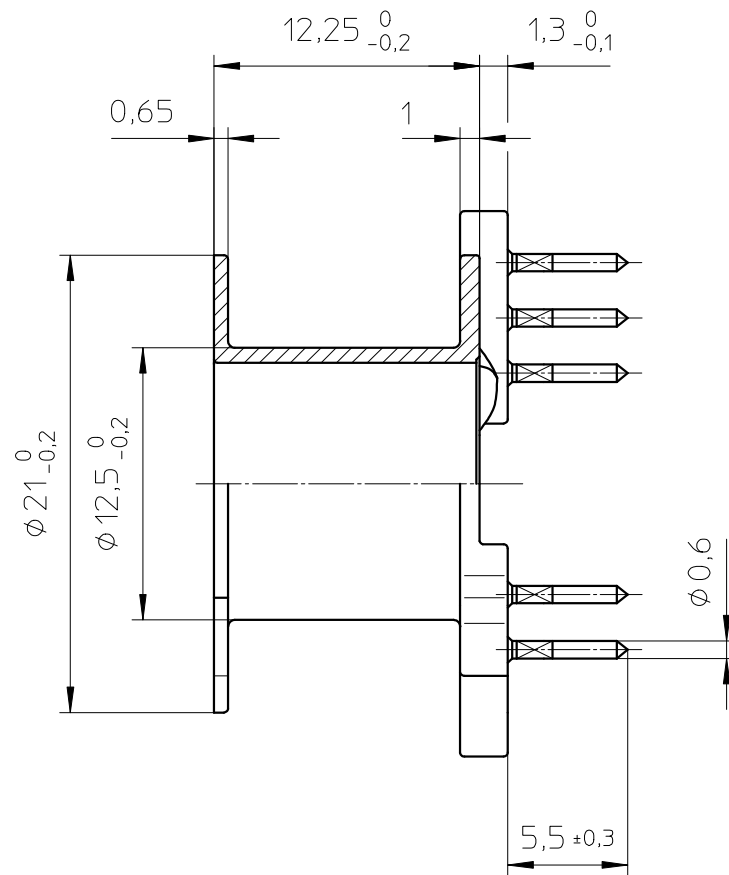
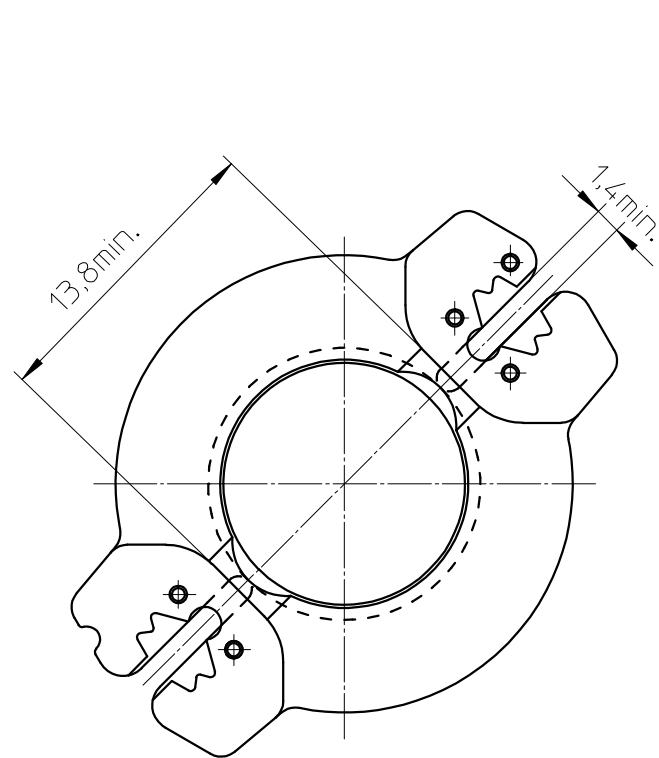
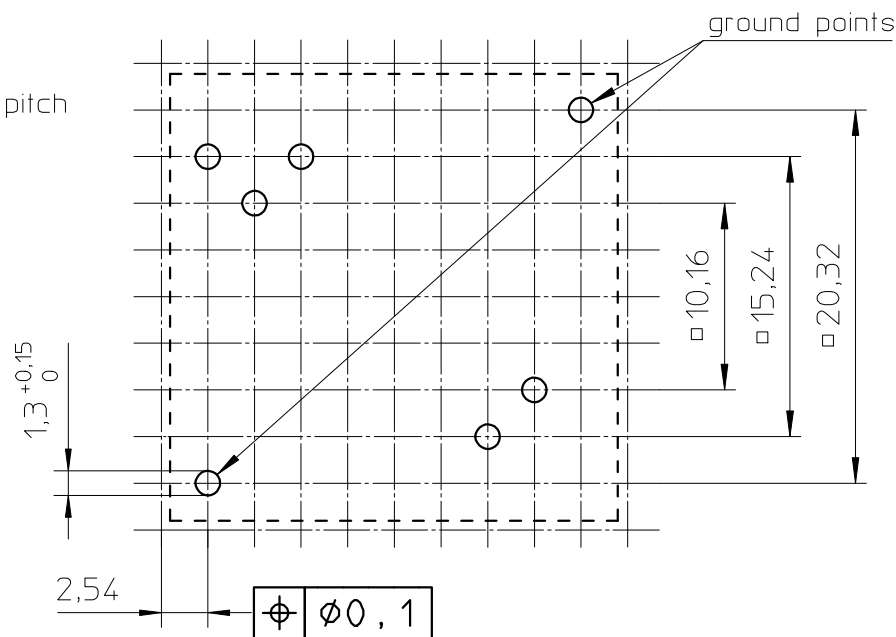


FERROXCUBE



HOLE PATTERN:
Space requirement 10x10 pitch



Coil former material: Bakelite UP 3420, glass-reinforced.

UL file number: E61040 - UL94V-0.

Pin material: CuSn - Ni flash, Sn plated.

Max. operating temp.: acc. to IEC 60 085 class F, 155°C

Resistance to soldering heat: acc. to IEC 60 068-2-20 Part 2, Test Tb, method 1B 350°C.-3.5sec.

Solderability: IEC 60 068-2-20 Part 2, Test Ta, method 1, 235°C-2sec.

Winding area: 42.7 mm²

Mean length of turn: 52.3mm.

CLASS.NO.	CSV-RM10-1S-5P		4322 021 34722	2004-09-28
90-01-26				2005-09-01
NAME	M.Veekens	SUPERS. VERV.	1	112 - 001
NAAM		CHECK CONTR.	DAT. 98-12-07	010
MPA		Property of Eigendom van	© FERROXCUBE 2000	
				A3