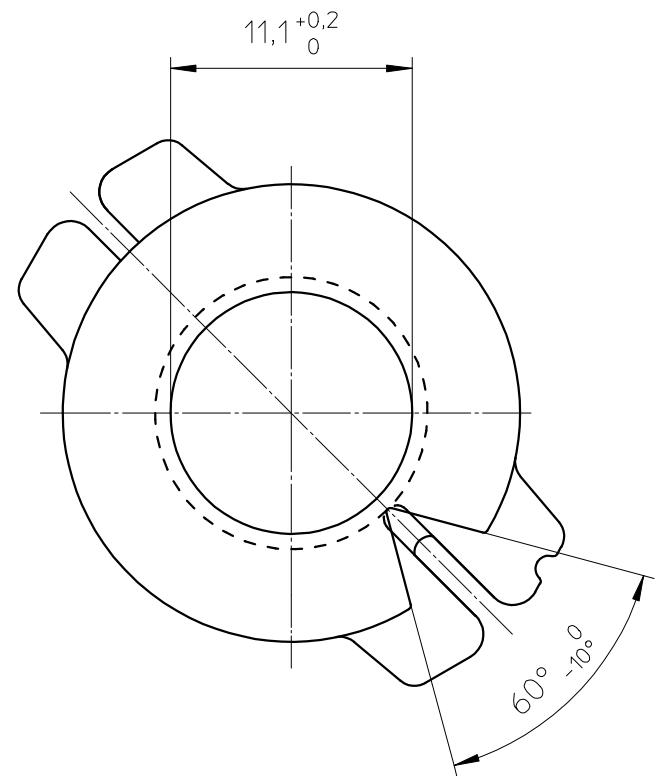
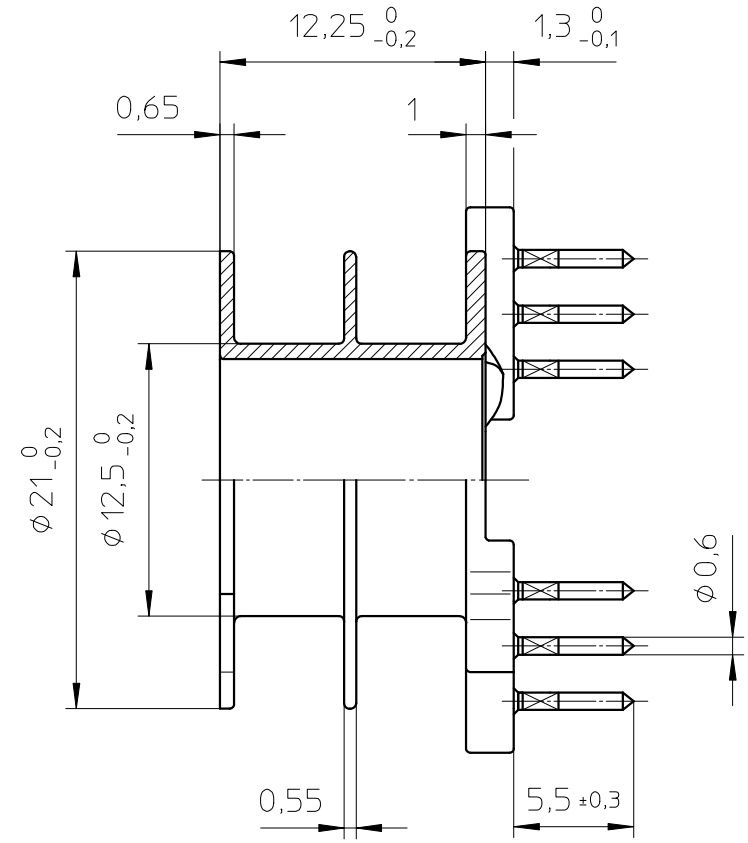
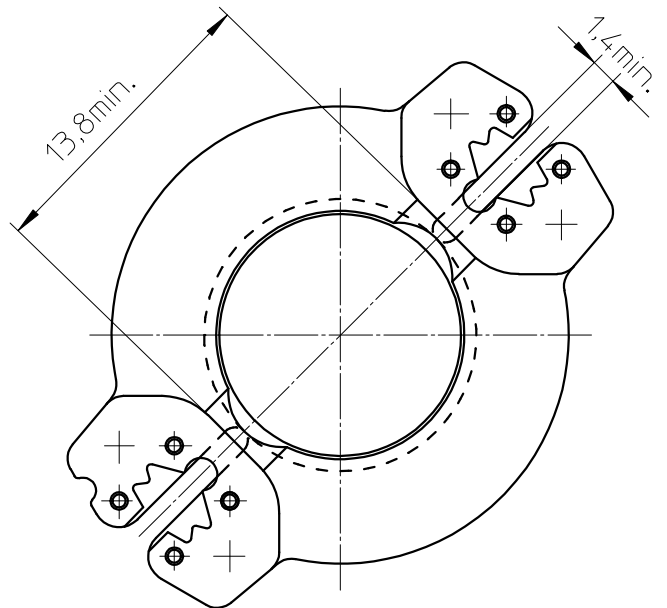
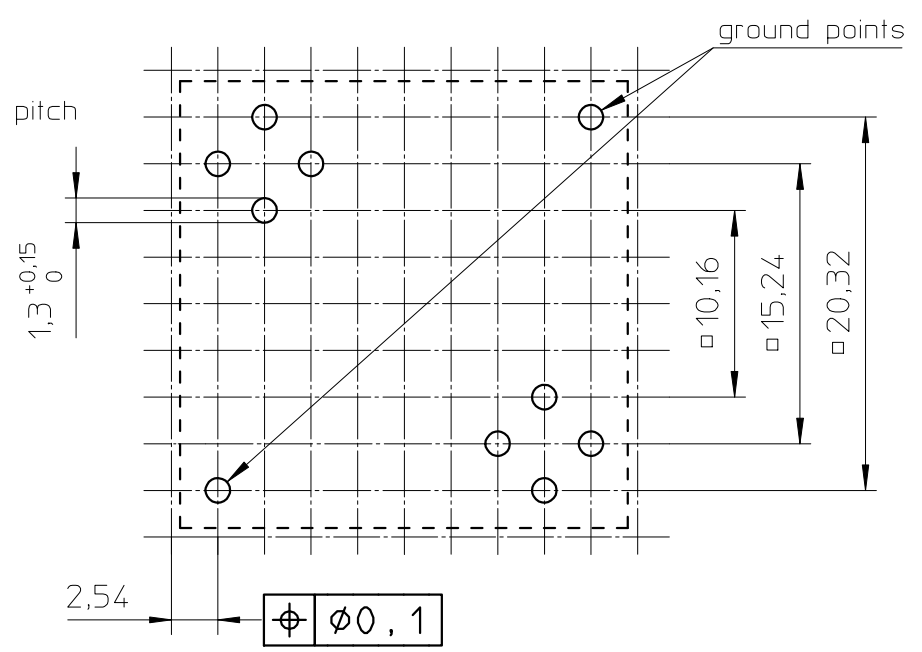


FERROXCUBE



HOLE PATTERN:
Space requirement 10x10 pitch



Coil former material: Bakelite UP 3420, glass-reinforced
UL file number: E61040 - UL94V-0.
Pin material: CuSn - Ni flash, Sn plated.
Max. operating temp.: acc. to IEC 60 085 class F, 155°C
Resistance to soldering heat: acc. to IEC 60 068-2-20 Part 2, Test Tb, method 1B 350°C-3.5sec.
Solderability: acc. to IEC 60 068-2-20 Part 2, Test Ta, method 1, 235°C-2sec.
Winding area: 42,7 mm.²
Mean length of turn: 52,3mm.

CLASS.NO.	90-01-26		112 - 001		010	A3
NAME NAAM	M.Veekens		SUPERS. VERV.	1	112 - 001	010
CHECK CONTR.	MPA		DAT.	89-04-05	© FERROXCUBE 2000	
PROPERTY OF EIGENDOM VAN			4322 021 34782			
			04-09-28			
			2005-09-01			
			97-04-18			
			00-05-02			
			00-08-01			