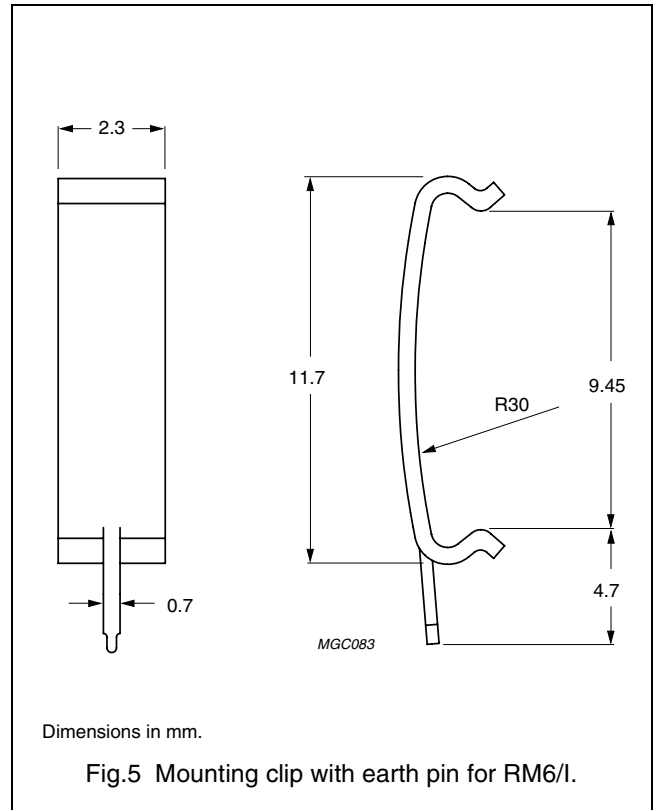


MOUNTING PARTS

General data

ITEM	SPECIFICATION
Clamping force	10 N
Clip material	stainless steel (CrNi)
Clip plating	tin (Sn)
Solderability	"IEC 60068-2-20", Part 2, Test Ta, method 1
Type number	CLI/P-RM6/I



General data mounting clip without earth pin

ITEM	SPECIFICATION
Clamping force	10 N
Clip material	stainless steel (CrNi)
Type number	CLI-RM6/I

