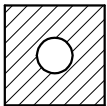
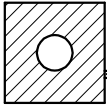


FERROXCUBE



1 2 3 4

a

b

c

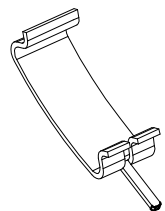
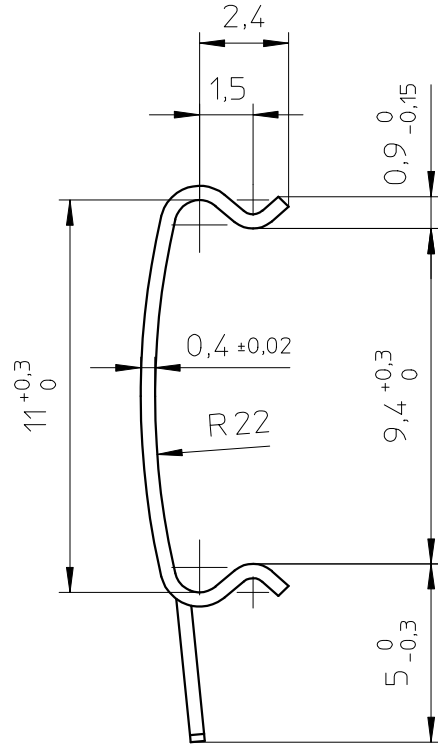
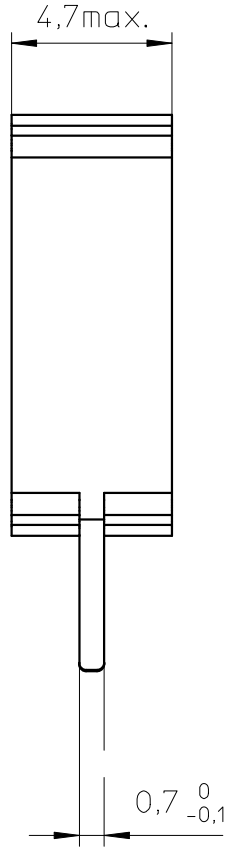
d

a

b

c

d



Clamping force by 10,5mm. : 30N

Clip material: X12 CrNi 17 7 - Ni flash, Sn plated.

Solderability: IEC 60 068-2-20 Part 2, Test Ta, method 1

CLASS.NO.		CLI/P-RM10/ILP		4322 021 01941		97-02-24			
						97-08-06			
						05-07-15			
NAME NAAM	M.Veekens	SUPERS. VERV.	1	SH BL.	112	-	001	010	A4
MPA	CHECK CONTR.	DAT.	97-02-24	Property of Eigendom van	© FERROXCUBE 2000				