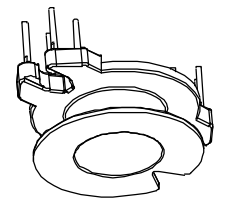
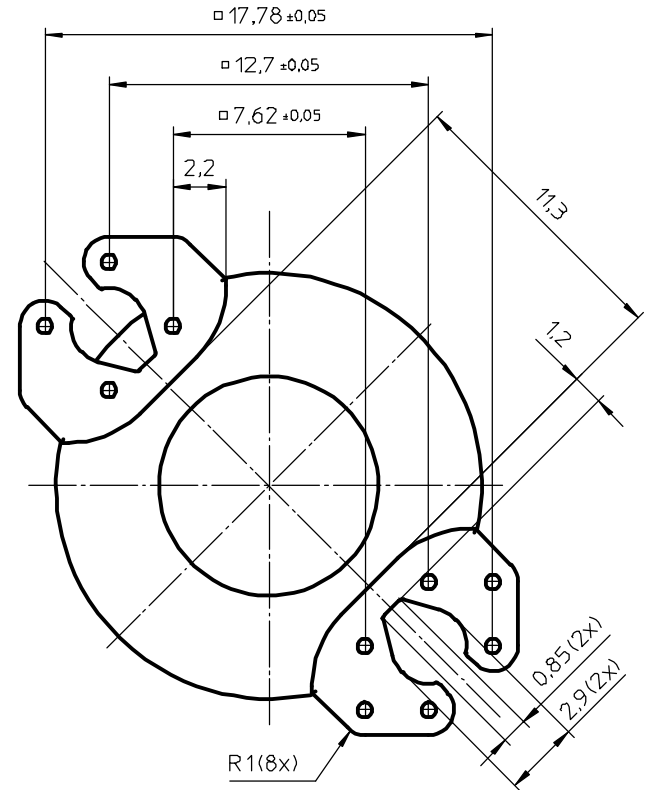
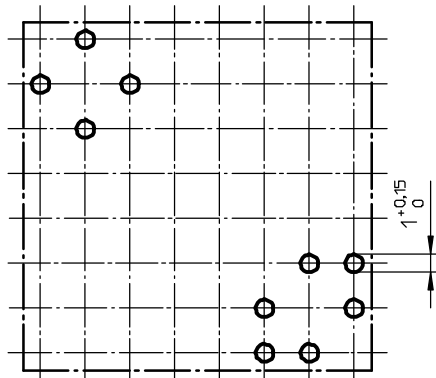


Pull-out force:
min. 9N per pin.



HOLE PATTERN:



- Coil former material: Sumikon PM9630 (PF), glass-reinforced.
UL file number: E41429 - UL94V-0.
- Pin material: Copper-clad steel, Sn plated.
- Max. operating temp.: acc. to IEC 60085 class F, 155°C.
- Resistance to soldering heat: acc. to IEC 60068-2-20 Part 2, Test Tb, method 1B, 350°C - 3.5s.
- Solderability: acc. to IEC 60068-2-20 Part 2, Test Ta, method 1, 235°C - 2s.
- Min. winding area: 13,3 mm²
- Mean length of turn: 41,8 mm.

CLASS NO.		03-02-20	
CSV-RM8/LP-1S-10P-Z		4322 021 06101	
NAME M. Veekens	SUPPERS VERV.	1	112 - 001
MPA	CHECK CONTR.	03-02-20	069
Property of Eigendoms van		© FERROXCUBE 2000	