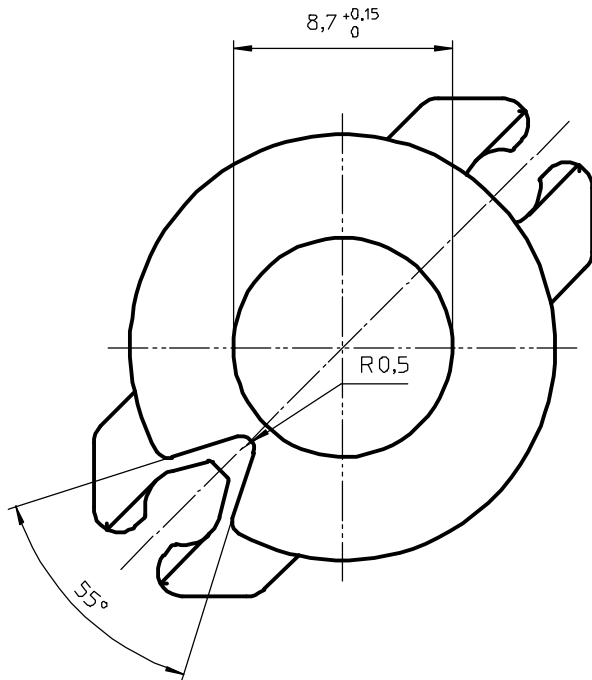
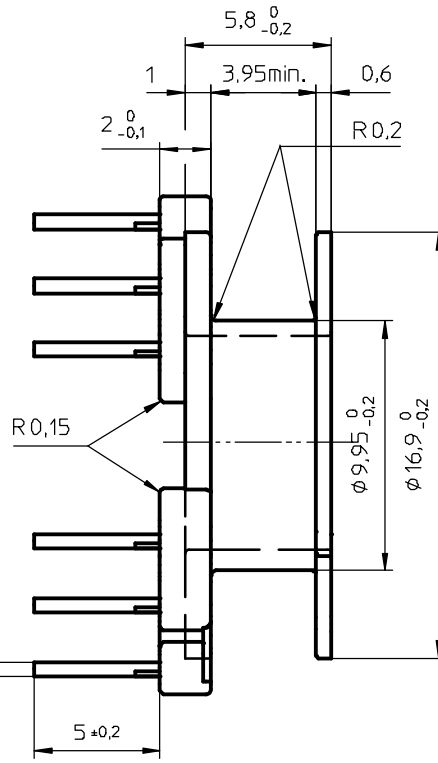
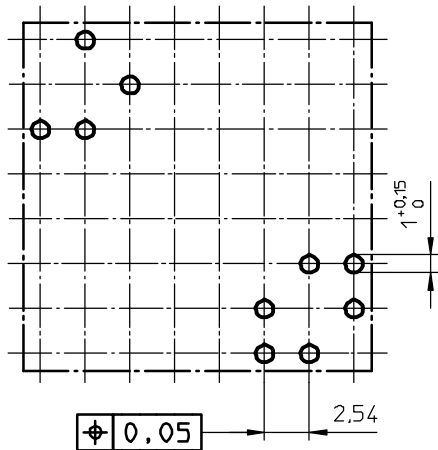


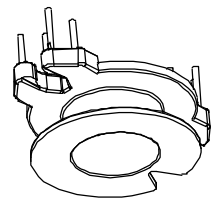
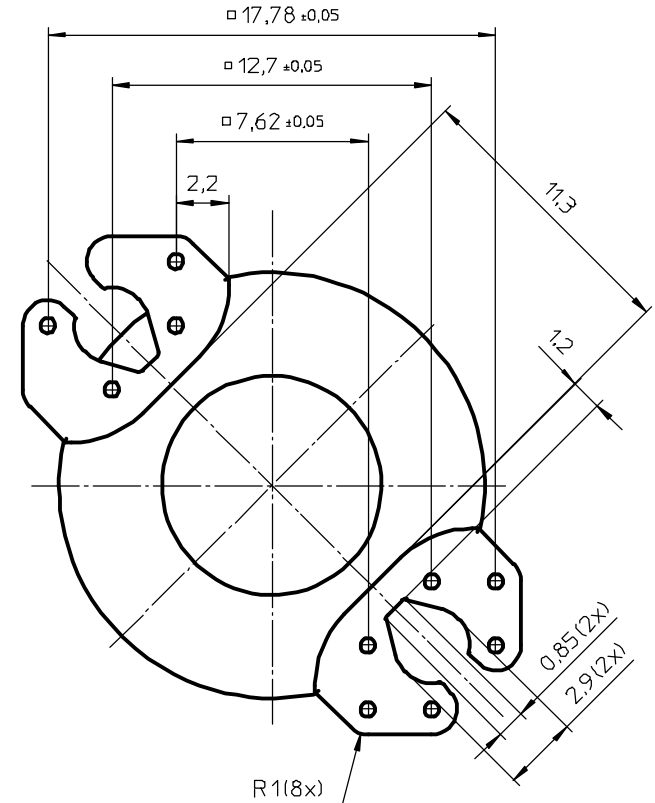
FERROXCUBE



HOLE PATTERN:



Pull-out force:
min. 9N per pin.



Coil former material: Sumikon PM9630 (PF), glass-reinforced,
UL file number: E41429 - UL94V-0.

Pin material: Copper-clad steel, Sn plated,
Max. operating temp.: acc. to IEC 60085 class F, 155°C.

Resistance to soldering heat: acc. to IEC 60068-2-20 Part 2, Test Tb, method 1B, 350°C - 3,5s

Solderability: acc. to IEC 60068-2-20 Part 2, Test Ta, method 1, 235°C - 2s.

Min winding area: 13,3 mm²

Mean length of turn: 41,8 mm.

CLASS NO.		03-02-20	
NAME: M. Veekens		4322 021 06111	
MPA		112 - 001	
CHECK CONTR.		069	
DATE: 03-02-20		Property of Elgeman van	
		© FERROXCUBE 2000	
		A3	