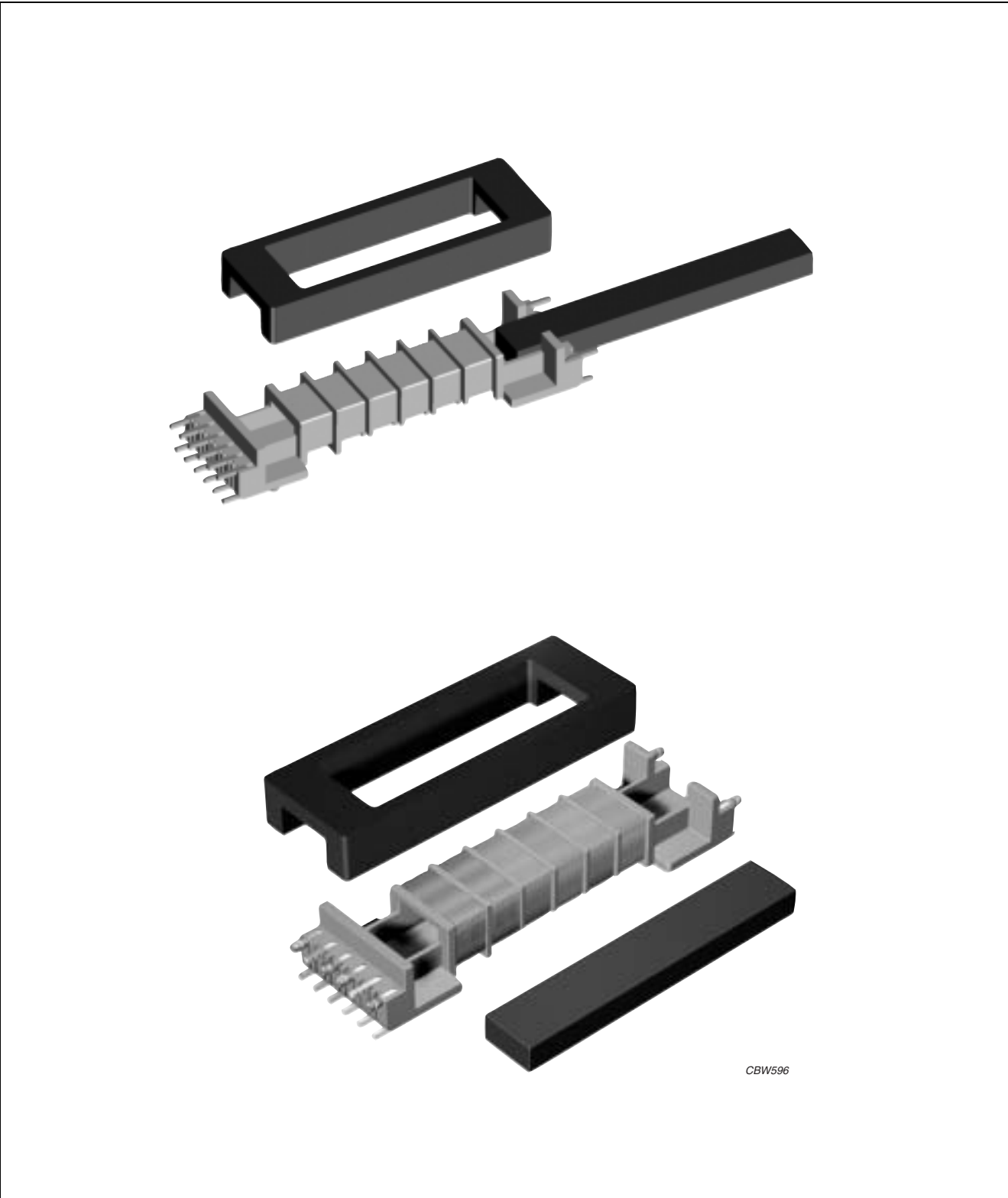


Soft Ferrites

Frame and Bar cores and accessories



CBW596

Soft Ferrites

Frame and Bar cores and accessories

PRODUCT OVERVIEW AND TYPE NUMBER STRUCTURE

Product overview Frame and Bar cores

CORE TYPE	V_e (mm ³)	A_e (mm ²)	MASS (g)
FRM 20/5/15	655	14	2.1
BAR 20/3/5.5	655	14	1.5
FRM 21/4/12	312	7.9	1.5
BAR 22/2/6	312	7.9	1.0
FRM 24/3.9/10	370	8.1	1.3
BAR 25/2.2/4	370	8.1	1.2
FRM 27/3.8/9	504	9.7	1.6
BAR 28/3.8/2.3	504	9.7	1.2

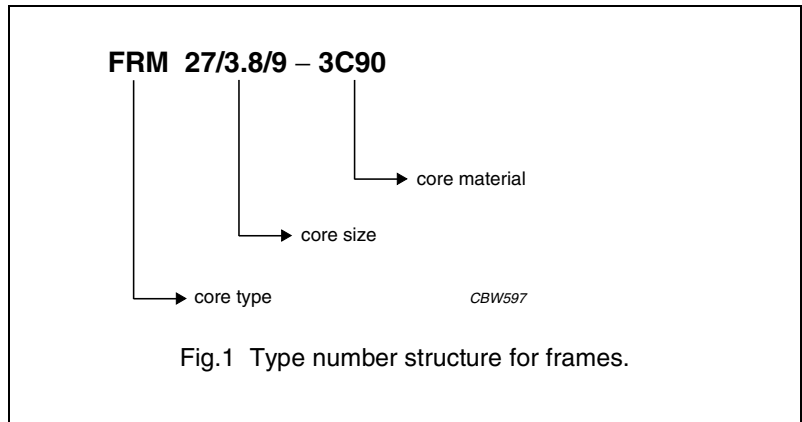


Fig.1 Type number structure for frames.

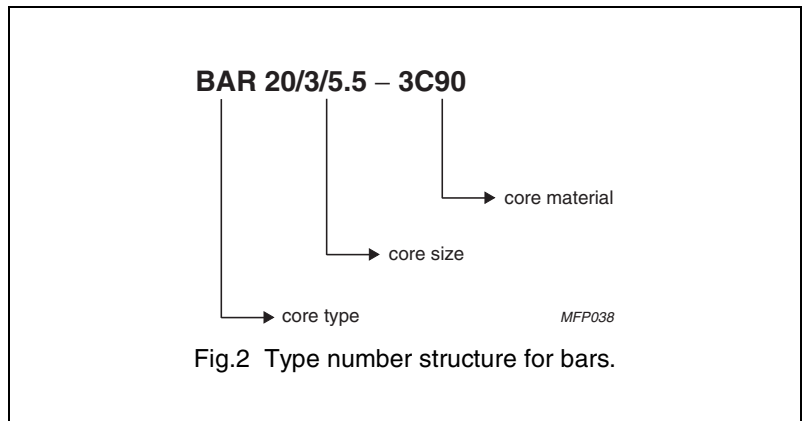


Fig.2 Type number structure for bars.

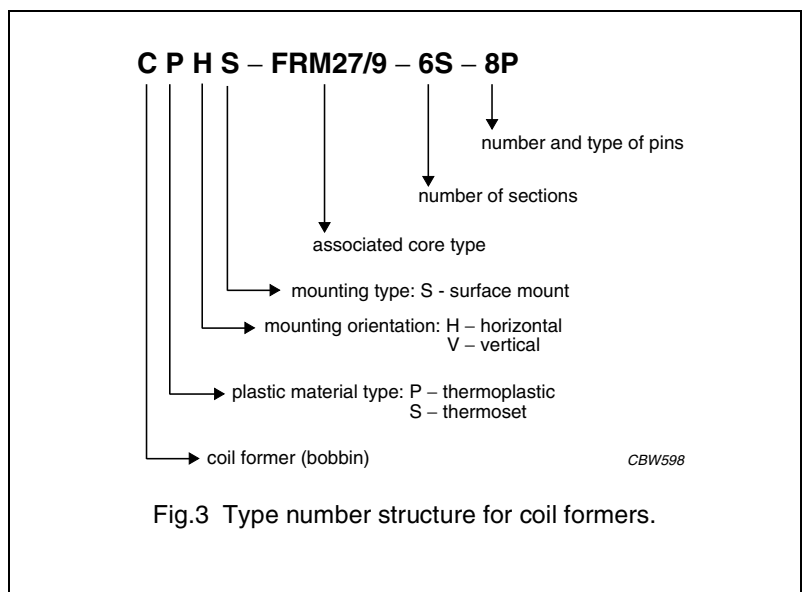


Fig.3 Type number structure for coil formers.