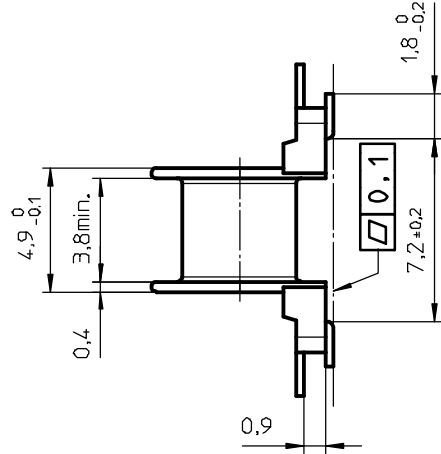
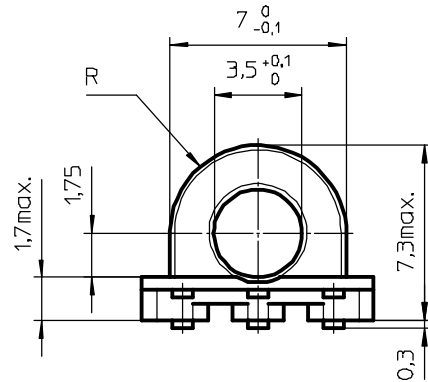
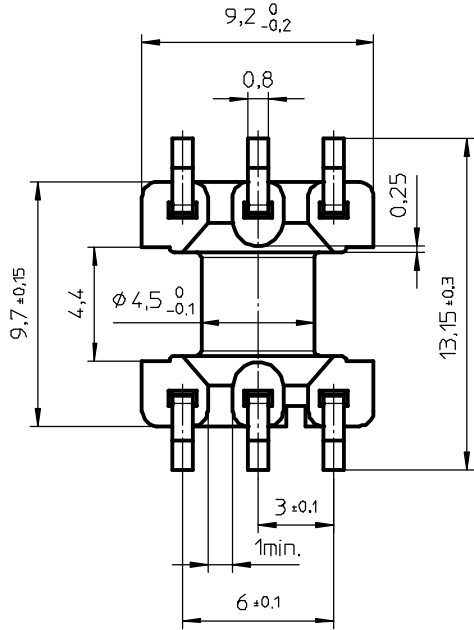
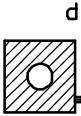
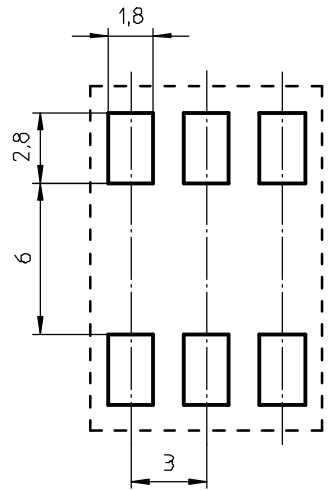


FERROXCUBE



PROPOSED PAD ARRANGEMENT:



Coil former material: Sumikon PM9630 (PF), glass-reinforced.
 UL file number: E41429 - UL94V-0.
 Pin material: CuSn - Ni flash, Sn plated.
 Max. operating temp.: acc. to IEC 60 085 class F, 155°C.
 Resistance to soldering heat: acc. to IEC 60 068-2-20 Part 2, Test Tb, method 1B, 350°C - 3,5s
 Solderability: acc. to IEC 60 068-2-20 Part 2, Test Ta, method 1, 235°C - 2s.
 Min. winding area: 4,56 mm².
 Mean length of turn: 17,9 mm.



CLASSNO.		1 03-06-03	
CSHS-EP7-1S-6P-Z		4322 021 06341	
NAME M.Veekens	SUPERS VERV.	001	112 - 001
MPA	CHECK CONTR.	069	A3
DAT. 2003-06-03		Property of Eigendom van © FERROXCUBE 2000	