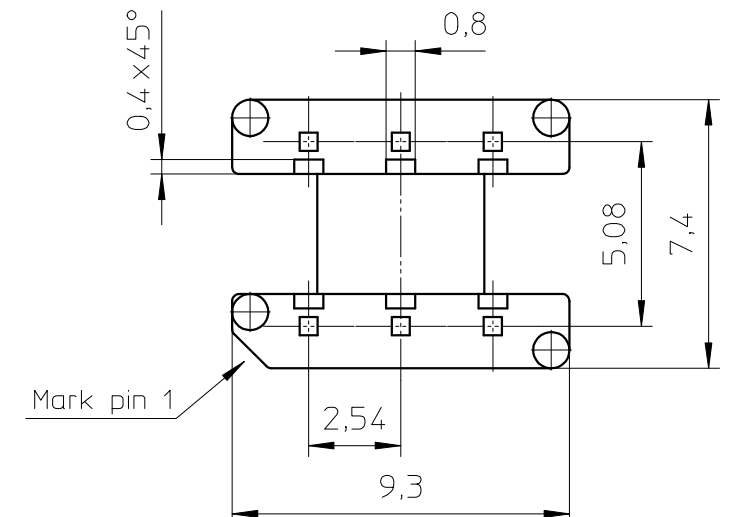
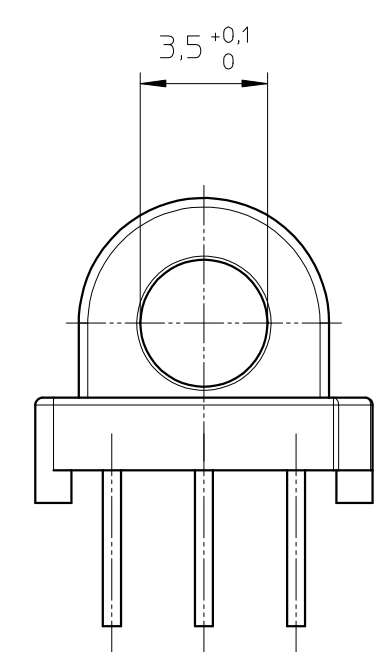
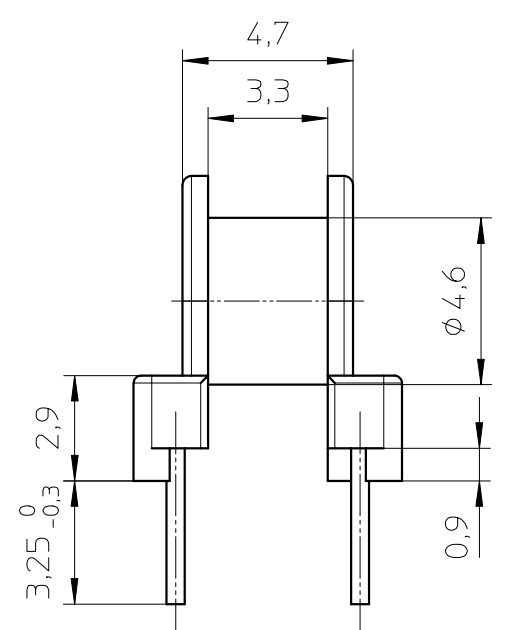
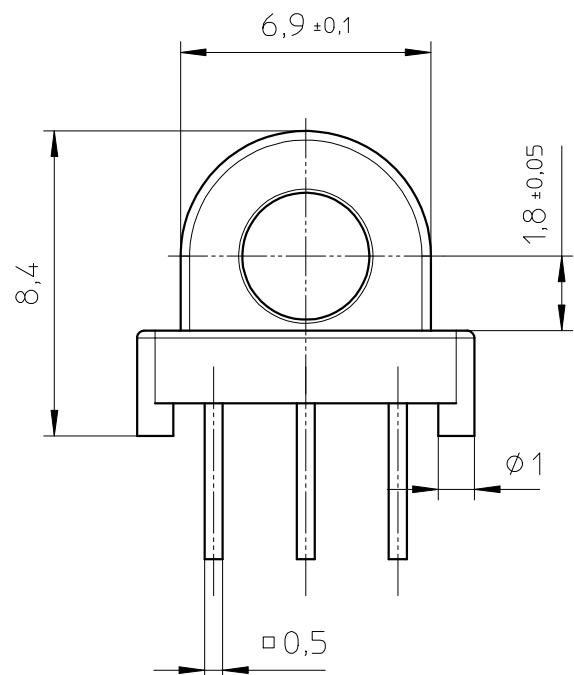
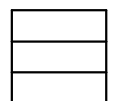
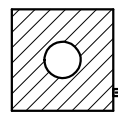
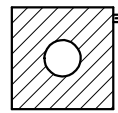
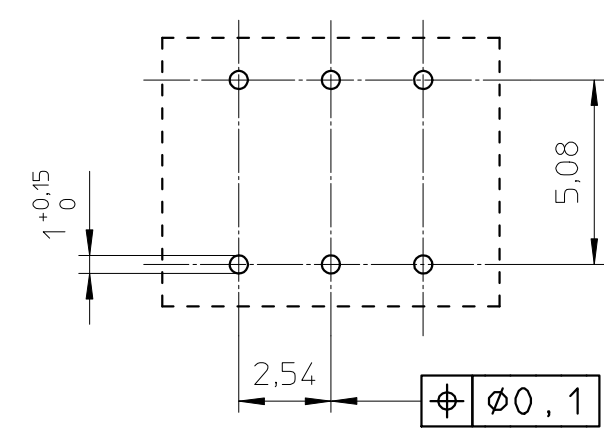


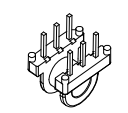
FERROXCUBE



Hole Pattern Proposal:



Coil former material: Sumikon PM9630 (PF), glass-reinforced.
 Pin material: UL file number: E41429 - UL94V-0.
 Max. operating temp.: Copperclad steel, Sn plated.
 Resistance to soldering heat: acc. to IEC 60 085 class H, 180°C.
 Solderability: acc. to IEC 60 068-2-20 Part 2, Test Tb, method 1B, 350°C-3,5s.
 Min. winding area: 3,5 mm².
 Mean length of turn: 18 mm.



CLASS.NO.	CSH-EP7-1S-6P-TZ		4322 021 06491	23-09-2005
				23-01-2006
				24-02-2006
				31-08-2006
NAME NAAM MPA	A.Wojtasz	SUPERS. VERV.	1 SH SH BL BL 112 - 001	A3
CHECK CONTR.	DAT.	Property of Eigendom van	© FERROXCUBE 2000	
	23-09-2005			