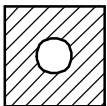
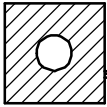
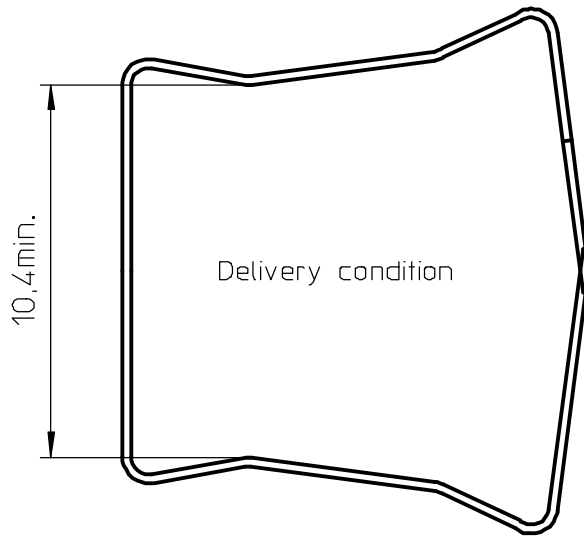
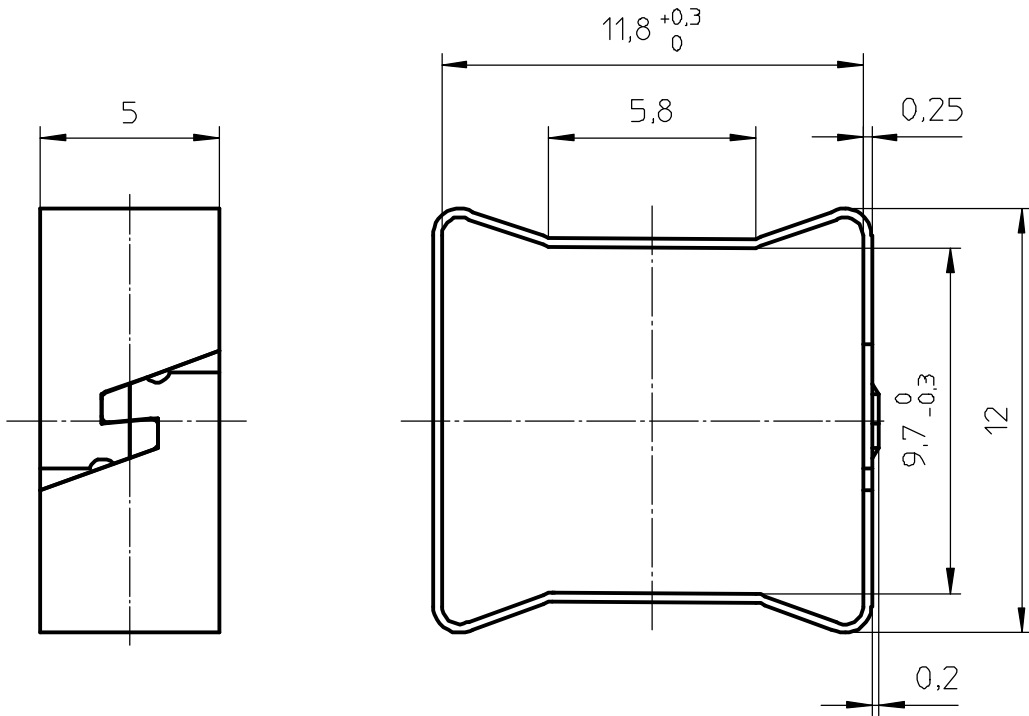


**FERROXCUBE**



1 2 3 4



Material: corrosion resisting steel X12 CrNi 17 7  
Clamping force: 27N.

CLASS NO.		CLI-EP10	4322 021 00781		2000-03-16	
96-03-08					94-12-08	
					95-08-28	
					96-03-08	
					97-09-15	
NAME NAAM	M.Veekens	SUPERS. VERV.	1	SH BL	112 - 001 010	<b>A4</b>
MPA	CHECK CONTR.	DAT.	93-10-28	Property of Eigendom van	© FERROXCUBE 2000	