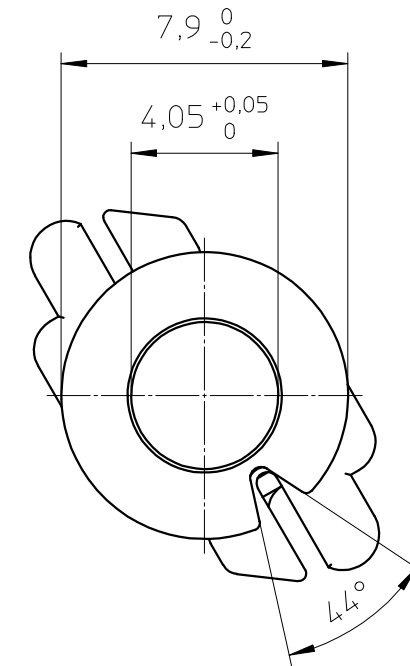
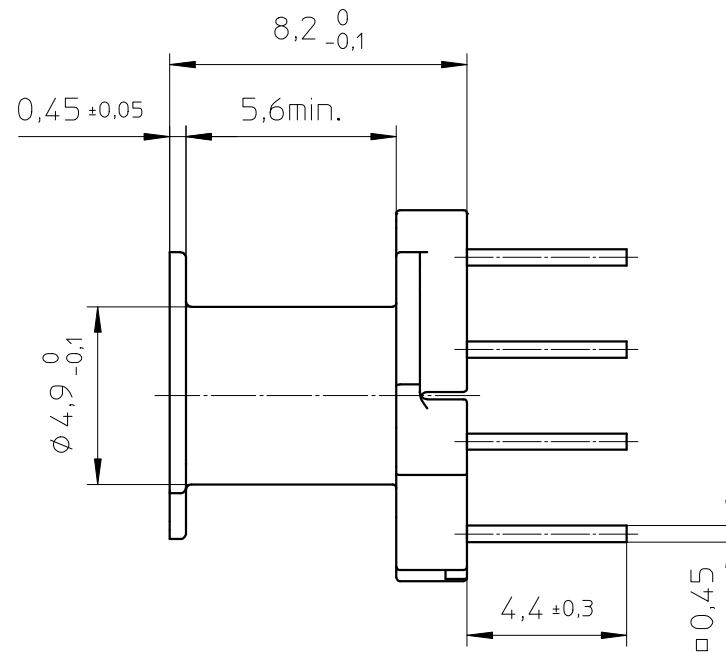
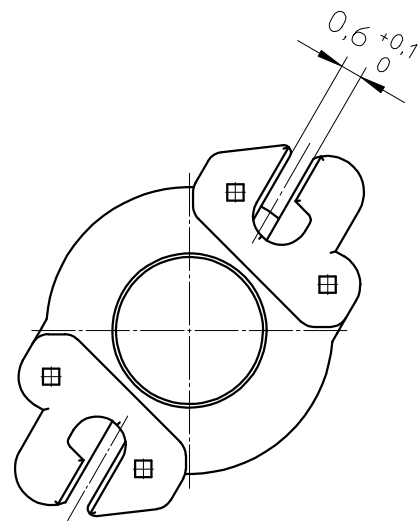
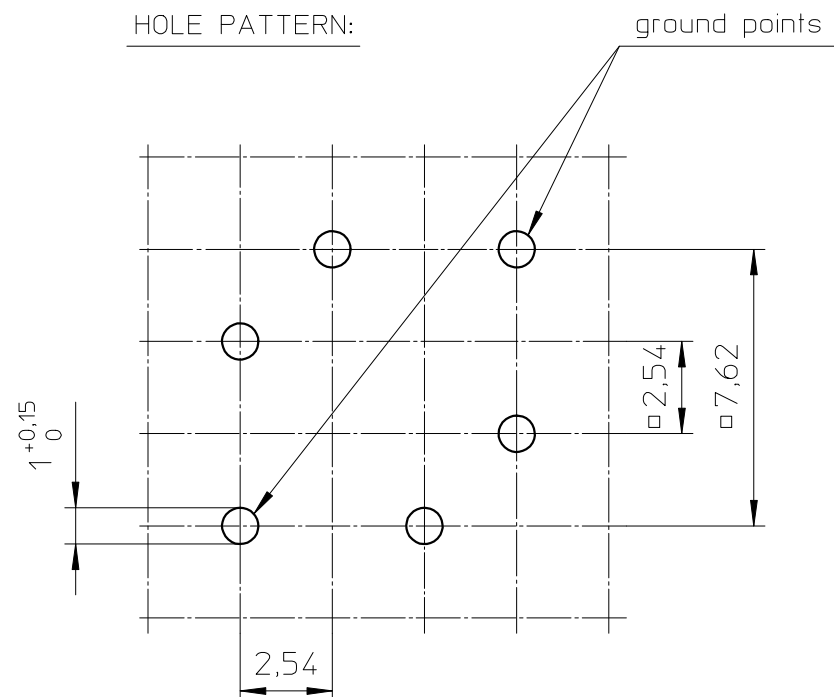


**FERROXCUBE**



HOLE PATTERN:



Coil former material: Sumikon PM9630 (PF), glass-reinforced.  
 UL file number: E41429(M) - UL94V-0.

Pin material: Copper-clad steel, Sn plated.

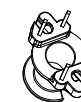
Max. operating temp.: acc. to IEC 60 085 class F, 155°C.

Resistance to soldering heat: acc. to IEC 60 068-2-20 Part 2, Test Tb, method 1B, 350°C - 35s.

Solderability: acc. to IEC 60 068-2-20 Part 2, Test Ta, method 1, 235°C - 2s

Min. winding area: 7,8 mm<sup>2</sup>.

Mean length of turn: 19,8 mm.



CLASS.NO.	2005-08-11		2005-09-15	
CSV-RM4-1S-4P-TZ		4322 021 06471		
NAME NAAM	M.Veekens	SUPERS. VERV.	001 SH BL.	112 - 001
MPA	CHECK CONTR.	DAT.	2005-08-11	Property of Eigendom van
		© FERROXCUBE 2000		A3